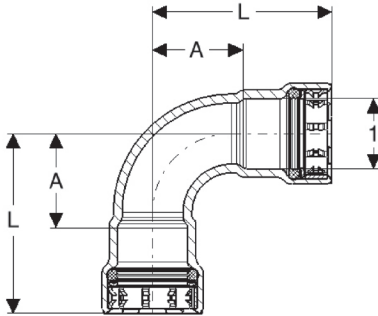


# Submittal Package

**veiga**

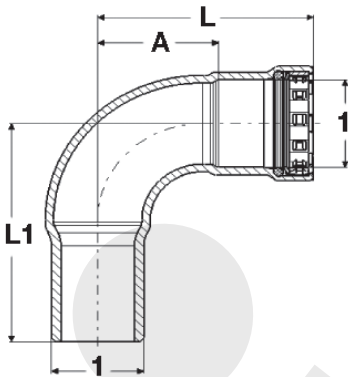
## Dimensional Documentation

**Steel Elbow 90° P x P - Models 4816 / 6616**



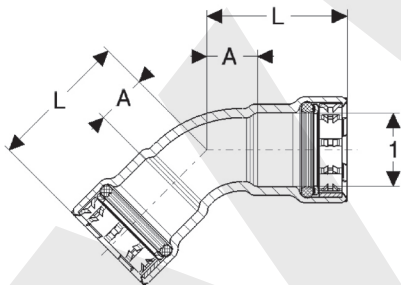
Part No.		Size	A (in)	L (in)
MegaPress	MegaPressG			
25200	25201	1/2"	1 1/8	2 1/4
25205	25206	3/4"	1 3/8	2 1/2
25210	25211	1"	1 3/4	3 1/8
25215	25216	1 1/4"	2	3 3/4
25220	25221	1 1/2"	2 1/4	4 1/8
25225	25226	2"	2 3/4	4 3/4

**Steel Elbow 90° FTG x P - Models 4816.1 / 6616.1**



Part No.		Size	A (in)	L (in)	L1 (in)
MegaPress	MegaPressG				
26050	26051	1/2"	1 1/8	2 1/4	2 1/2
26055	26056	3/4"	1 3/8	2 1/2	2 3/4
26060	26061	1"	1 3/4	3 1/8	3 3/8
26065	26066	1 1/4"	2	3 3/4	4
26070	26071	1 1/2"	2 1/4	4 1/8	4 1/4
26075	26076	2"	2 3/4	4 3/4	5

**Steel Elbow 45° P x P - Models 4826 / 6626**



Part No.		Size	A (in)	L (in)
MegaPress	MegaPressG			
25230	25231	1/2"	5/8	1 5/8
25235	25236	3/4"	3/4	1 7/8
25240	25241	1"	7/8	2 1/4
25245	25246	1 1/4"	1	2 3/4
25250	25251	1 1/2"	1 1/8	3
25255	25256	2"	1 1/4	3 1/4