

MODEL 975XL2 and 975XL

Reduced Pressure Principle – Backflow Preventers 3/4" to 2"



Item Number	Description	3/4"	1"	1-1/4"	1-1/2"	2"
1	BALL VALVE, TAPPED 975XL2	34-850TXL	1-850TXL	114-850TXL	112-850TXL	2-850TXL
1	BALL VALVE, TAPPED 975XL	34-850T	1-850T	114-850T	112-850T	2-850T
	BALL VALVE, 975XL2	34-850XL	1-850XL	114-850XL	112-850XL	2-850XL
2	BALL VALVE, 975XL	34-850	1-850	114-850	112-850	2-850
	BUTTERFLY VALVE*	N/A	N/A	114-49BRXL	112-49BRXL	2-49BRXL
	BUTTERFLY VALVE, TAPPED*	N/A	N/A	114-49BRXLT	112-49BRXLT	2-49BRXLT
3	O-RING, CHECK SEAT	WK-125N	WK-125N	136N	136N	136N
4	CHECK SEAT	952-18S	952-18S	954-18S	954-18S	954-18S
5	RETAINING BOLT	952-11	952-11	952-11	952-11	952-11
6	SEAL RING RETAINER	952-14	952-14	954-14	954-14	954-14
7	SEAL RING	952-12S	952-12S	954-12S	954-12S	954-12S
8	POPPET	952-30-010F	952-30-010F	954-30-010F	954-30-010F	954-30-010F
9	NO.1 CHECK SPRING	972-33	972-33	5754-33	5754-33	5754-33
10	O-RING, COVER	136N	136N	153N	153N	153N
11	CHECK COVER	952-3XL2-010F	952-3XL2-010F	954-3XL2-010F	954-3XL2-010F	954-3XL2-010F
12	POPPET ASSY.	952-300S	952-300S	954-300S	954-300S	954-300S
13	NO.2 CHECK SPRING	952-33	952-33	554-33	554-33	554-33
14	TEST COCK	18-860XL	18-860XL	14-860XL	14-860XL	14-860XL
15	O-RING, RELIEF VALVE SEAT	WK-019N	WK-019N	029N	029N	029N
16	RELIEF VALVE SEAT	972-18	972-18	974-18	974-18	974-18
17	RELIEF VALVE SPRING	972A-33	972A-33	974A-33	974A-33	974A-33
18	RELIEF VALVE RETAINING BOLT	972-11A	972-11A	604B-11	604B-11	604B-11
19	RELIEF VALVE SEAL RING RETAINER	972-14	972-14	552-14	552-14	552-14
20	RELIEF VALVE SEAL RING	972-12S	972-12S	974-12S	974-12S	974-12S
21	RELIEF VALVE LOWER PLUNGER	972-34A	972-34A	974-34A	974-34A	974-34A
22	RELIEF VALVE DIAPHRAGM	972-43	972-43	974-43	974-43	974-43
23	RELIEF VALVE UPPER PLUNGER	972-34	972-34	974-34	974-34	974-34
24	O-RING, RELIEF VALVE STEM	WK-111N	WK-111N	121N	121N	121N
25	RELIEF VALVE STEM ASSY.	972-50S	972-50S	974-50S	974-50S	974-50S
26	RELIEF VALVE COVER BOLT	554-11A	554-11A	554-11A	554-11A	554-11A
	RV. and CHECK SEAT TOOL	972-SEATTOOL		974-SEATTOOL		
27	RELIEF VALVE COVER	972-3AXL2-010F	972-3AXL2-010F	974-3AXL2-010F	974-3AXL2-010F	974-3AXL2-010F

*INTEGRAL SUPERVISORY SWITCH OPTION AVAILABLE

Repair Kit, Complete

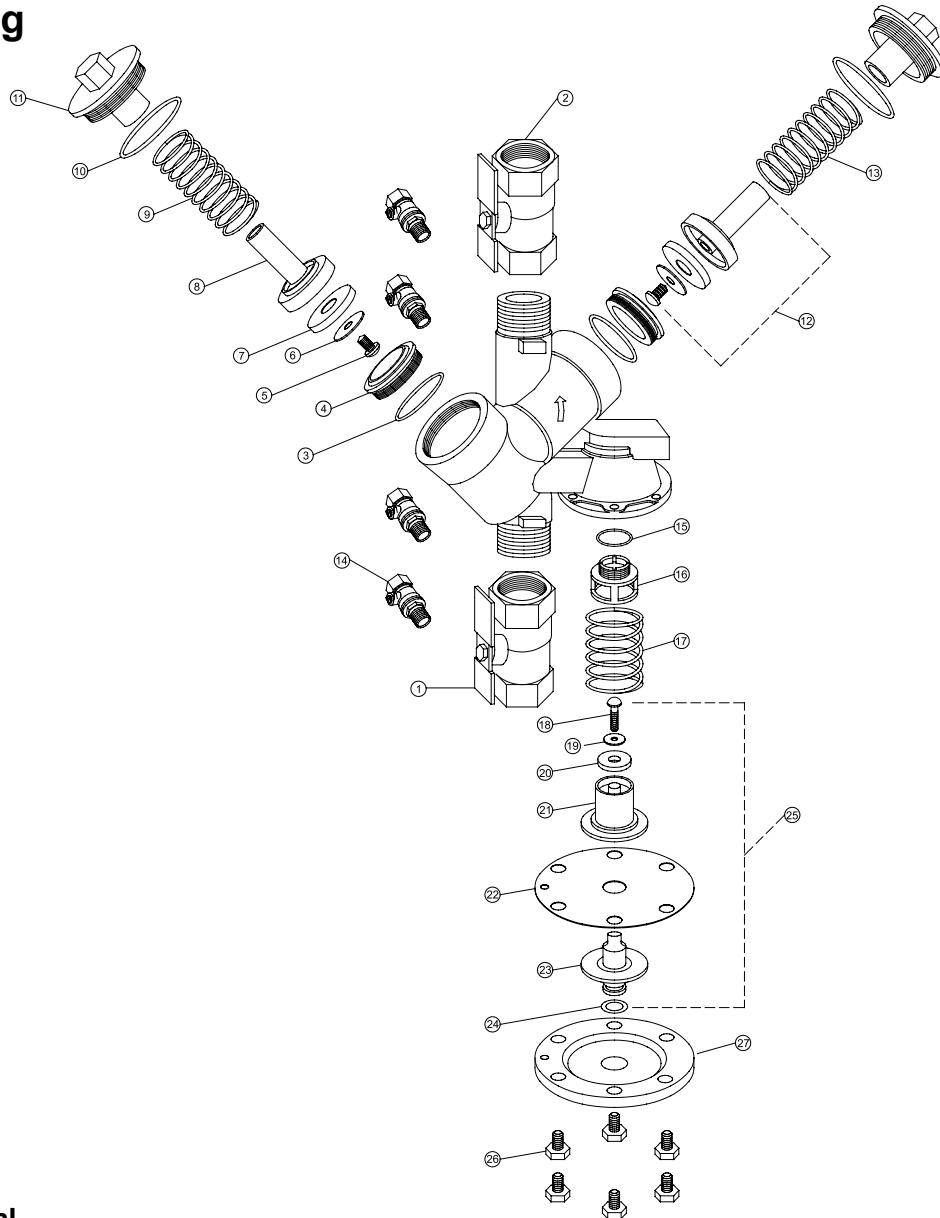
RK34-975XL Size 3/4", and 1" Only			RK114-975XL Size 1-1/4", 1-1/2", 2" Only		
Part Number	Qty.	Description	Part Number	Qty.	Description
952-12S	2	SEAL RING	954-12S	2	SEAL RING
972-12S	1	RELIEF VALVE SEAL RING	974-12S	1	RELIEF VALVE SEAL RING
972-43	1	DIAPHRAGM	974-43	1	DIAPHRAGM
136N	2	O-RING, COVER	153N	2	O-RING, COVER
WK-111N	1	O-RING, RELIEF VALVE STEM	121N	1	O-RING, RELIEF VALVE STEM
972-33	1	NO. 1 CHECK SPRING	5754-33	1	NO. 1 CHECK SPRING
952-33	1	NO.2 CHECK SPRING	554-33	1	NO. 2 CHECK SPRING
972A-33	1	RELIEF VALVE SPRING	974A-33	1	RELIEF VALVE SPRING

Repair Kit, Rubber

RK34-975XLR Size 3/4", and 1" Only			RK114-975XLR Size 1-1/4", 1-1/2", 2" Only		
Part Number	Qty.	Description	Part Number	Qty.	Description
952-12S	2	SEAL RING	954-12S	2	SEAL RING
972-12S	1	RELIEF VALVE SEAL RING	974-12S	1	RELIEF VALVE SEAL RING
972-43	1	DIAPHRAGM	974-43	1	DIAPHRAGM
136N	2	O-RING, COVER	153N	2	O-RING, COVER
WK-111N	1	O-RING, RELIEF VALVE STEM	121N	1	O-RING, RELIEF VALVE STEM

MODEL 975XL2 and 975XL – 3/4" to 2"

Parts Drawing



Repair Kit, Internal

RK34-975XLC Size 3/4", and 1" Only			RK114-975XLC Size 1-1/4", 1-1/2", 2" Only		
Part Number	Qty.	Description	Part Number	Qty.	Description
136N	2	O-RING, COVER	153N	2	O-RING, COVER
952-300S	2	POPPET ASSY	954-300S	2	POPPET ASSY
972-33	1	NO. 1 CHECK SPRING	5754-33	1	NO. 1 CHECK SPRING
952-33	1	NO. 2 CHECK SPRING	554-33	1	NO. 2 CHECK SPRING
972-50S	1	RELIEF VALVE STEM ASSY	974-50S	1	RELIEF VALVE STEM ASSY
972A-33	1	RELIEF VALVE SPRING	974A-33	1	RELIEF VALVE SPRING
RK34-975XLSK	1	SEAT REPAIR KIT	RK114-975XLSK	1	SEAT REPAIR KIT

Repair Kit, Seat

RK34-975XLSK Size 3/4" and 1" Only			RK114-975XLSK Size 1-1/4", 1-1/2", 2" Only		
Part Number	Qty.	Description	Part Number	Qty.	Description
952-18S	2	CHK SEAT, 3/4" XL	954-18S	2	CHK SEAT, 1-1/4" XL
WK-125N	2	O-RING, CHECK SEAT	136N	2	O-RING, CHECK SEAT
972-18	1	CU SEAT, 3/4" XL	974-18	1	CU SEAT, 1-1/4" 975XL
WK-019N	1	O-RING, RELIEF VALVE SEAT	029N	1	O-RING, RELIEF VALVE SEAT