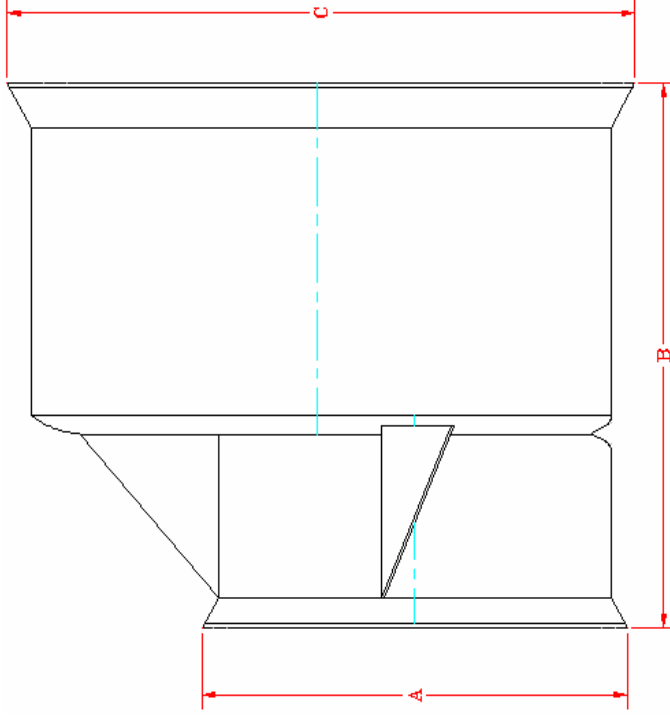



INJECTION MOLDED REDUCING BELL/BELL COUPLER



PART #	PIPE SIZE	A	B	C	JOINT
0614WT	6 x 4 in (150 x 100 mm)	5.6 in (142 mm)	6.6 in (167 mm)	7.9 in (201 mm)	WT
0814WT	8 x 4 in (200 x 100 mm)	5.7 in (145 mm)	6.6 in (167 mm)	10.4 in (263 mm)	WT
0816WT	8 x 6 in (200 x 150 mm)	8.0 in (204 mm)	7.7 in (196 mm)	10.4 in (263 mm)	WT
1018WT	10 x 8 in (200 x 100 mm)	10.3 in (262 mm)	9.9 in (250 mm)	12.9 in (327 mm)	WT
1218WT	12 x 8 in (200 x 150 mm)	10.4 in (265 mm)	11.2 in (285 mm)	16.3 in (413 mm)	WT
1210WT	12 x 10 in (200 x 100 mm)	13.0 in (329 mm)	12.3 in (313 mm)	16.3 in (413 mm)	WT

NOTE: FITTINGS WHOSE PART NUMBERS END WITH "WT" HAVE WATER TIGHT BELL CONNECTIONS. WATER TIGHT BELLS ARE SHOWN HERE IN THIS DRAWING AND REQUIRE GASKETS TO BE FITTED TO DUAL WALL PIPE TO FORM A WATER TIGHT JOINT. (GASKETS INCLUDED)



ADVANCED DRAINAGE SYSTEMS, INC.

DRAWING #:	3500	07.31.06
DRAWN BY:	JCB	
APPROVED BY:		
REVISIONS:	NJP	06.15.07

NOTE: ALL FITTINGS DIMENSIONS ARE FOR REFERENCE ONLY