

# Industrial grade L14-20 locking devices

Project Name:	Prepared By:
Project Number:	Date:
Catalog Number:	Type:

## Description

NEMA L14-20 20A, 125/250V/AC, 3P-4W



L14-20R L14-20P



AHL1420P



AHL1420C



AHL1420R



AHL1420FO

## Design features for plugs & connectors

- All nylon construction
- EPDM gasket seals cord hole from dust and debris
- Back wire terminal clamps for easy secure wiring
- Individual wiring compartments with tapered channel for easy insertion of wires
- Clear cover over wiring compartments allows easy inspection of wiring terminations
- Rating printed on side of device
- Largest-in-class grommet size allows for entire cord size range

## Design features for receptacles

- Rugged glass filled nylon body
- Clearly marked rating, NEMA configuration and approval listings on receptacle face
- One piece brass contacts offer superior performance and minimal heat rise
- Back and side wiring terminal clamps for easy, secure wiring

## Design features for flanged inlets & outlets

- All nylon construction
- Mounting holes interchangeable with competitive units
- Back wire terminal clamps for easy, secure wiring
- Individual wiring compartments with tapered channel for easy insertion of wires

**Table 1. NEMA L14-20 Industrial Grade Locking Devices**

Catalog No.	Description	Amps	Volts	Color
□ AHL1420P	Ultra grip plug	20	125/250	Black & white
□ AHL1420PBK	Ultra grip plug	20	125/250	Black
□ AHL1420C	Ultra grip connector	20	125/250	Black & white
□ AHL1420CBK	Ultra grip connector	20	125/250	Black
□ AHL1420R	Single receptacle	20	125/250	Black
□ AHIGL1420R	Single receptacle, isolated ground	20	125/250	Orange
□ AHL1420FO	Flanged outlet	20	125/250	Black & white
□ AHL1420FI	Flanged inlet	20	125/250	Black & white



Powering Business Worldwide

Compliances, specifications and availability are subject to change without notice.

Project Name:	Prepared By:
Project Number:	Date:
Catalog Number:	Type:

## Plugs & Connectors

NEMA L14-20 20A, 125/250V/AC, 3P-4W

**Table 2. Specifications**

Catalog No.	NEMA L14-20 Plugs & Connectors
<b>NEMA Config</b>	NEMA L14-20
<b>Wiring Type</b>	Back wire
<b>Environmental Specifications</b>	<b>Flammability:</b> Meets UL94 requirements; V2 rated <b>Temperature Rating:</b> -40°C to 60°C (-40°F to 140°F)
<b>Electrical Specifications</b>	<b>Dielectric Voltage:</b> Twice the device rating + 1000V per UL498 <b>Current Interrupting:</b> Yes, at full-rated current <b>Temperature Rise:</b> Max. 30°C (86°F) after 50 cycles of overload at 150% of rated current (DC)
<b>Mechanical Specifications</b>	<b>Terminal Accommodation:</b> #14 - #8 AWG <b>Voltage Ratings:</b> Permanently marked on device

**Table 3. Materials**

Catalog No.	NEMA L14-20 Plugs & Connectors
<b>NEMA Config</b>	NEMA L14-20
<b>Outer Shell</b>	Nylon
<b>Interior Body</b>	Nylon
<b>Terminal Retainer</b>	Polycarbonate
<b>Blades</b>	Brass
<b>Line Contacts</b>	Bronze, tin plated
<b>Terminal Clamps</b>	Steel, tin plated
<b>Terminal Screws</b>	#10-32 brass, zinc plated (neutral screw)
<b>Ground Screw</b>	#10-32 brass
<b>Assembly Screws</b>	Steel, nickel plated
<b>Gasket/Dust Shield</b>	EPDM
<b>Cord Clamp Screws</b>	Steel, nickel plated
<b>Cord Clamp</b>	Nylon

## Product Dimensions

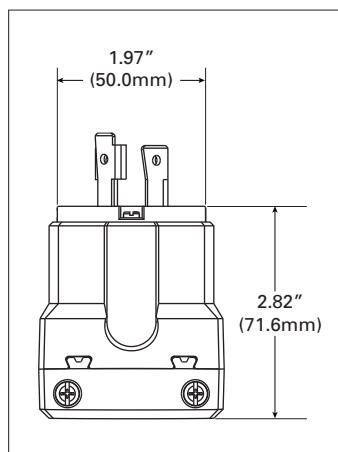


Figure 1. AHL1420P

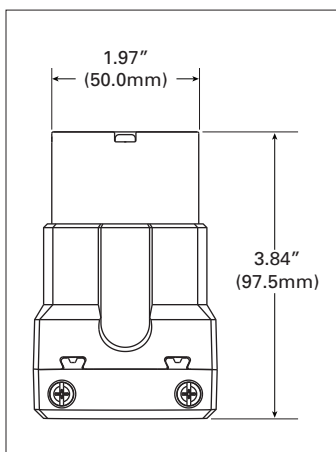


Figure 2. AHL1420C

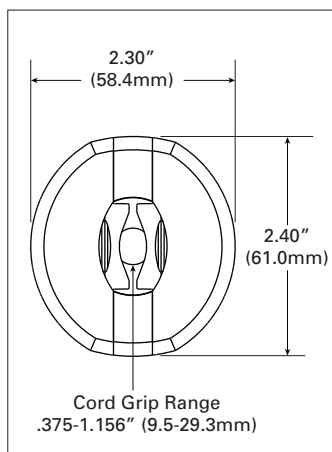


Figure 3. Base Angle

Compliances, specifications and availability are subject to change without notice.

Project Name:	Prepared By:
Project Number:	Date:
Catalog Number:	Type:

## Single Receptacles

NEMA L14-20 20A, 125/250V/AC, 3P-4W

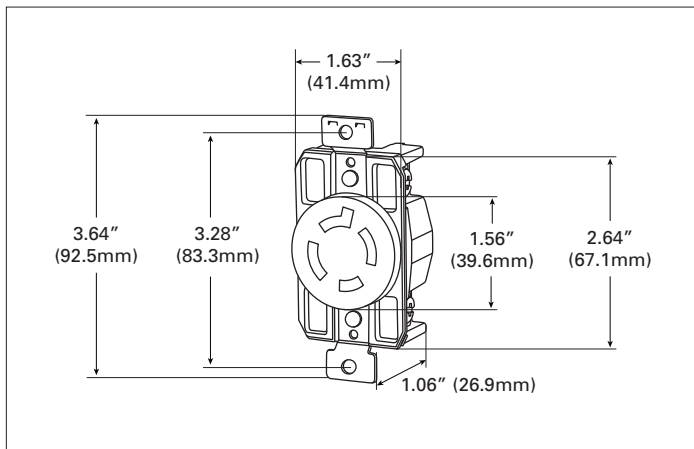
**Table 4. Specifications**

Catalog No.	NEMA L14-20 Single Receptacles	NEMA L14-20 Isolated Ground Single Receptacles
<b>NEMA Config</b>	NEMA L14-20	NEMA L14-20
<b>Wiring Type</b>	Back & side wire	Back & side wire
<b>Environmental Specifications</b>	<b>Flammability:</b> Meets UL94 requirements; V0 rated <b>Temperature Rating:</b> -40°C to 60°C (-40°F to 140°F)	<b>Flammability:</b> Meets UL94 requirements; V0 rated <b>Temperature Rating:</b> -40°C to 60°C (-40°F to 140°F)
<b>Electrical Specifications</b>	<b>Dielectric Voltage:</b> ≤300V: 2000V, 301-600V: 3000V per UL498 <b>Current Interrupting:</b> Yes, at full-rated current <b>Temperature Rise:</b> Max. 30°C (86°F) after 250 cycles of overload @ 200% of rated current (DC)	<b>Dielectric Voltage:</b> ≤300V: 2000V, 301-600V: 3000V per UL498 <b>Current Interrupting:</b> Yes, at full-rated current <b>Temperature Rise:</b> Max. 30°C (86°F) after 50 cycles of overload @ 150% of rated current (DC)
<b>Mechanical Specifications</b>	<b>Terminal Accommodation:</b> #14 - #8 AWG <b>Voltage Ratings:</b> Permanently marked on device	<b>Terminal Accommodation:</b> #14 - #8 AWG <b>Voltage Ratings:</b> Permanently marked on device

**Table 5. Materials**

Catalog No.	NEMA L14-20 Single Receptacles	NEMA L14-20 Isolated Ground Single Receptacles
<b>NEMA Config</b>	NEMA L14-20	NEMA L14-20
<b>Face</b>	Glass-filled nylon	Glass-filled nylon
<b>Base</b>	Glass-filled nylon	Glass-filled nylon
<b>Mounting Strap</b>	.050" thick steel, zinc plated	.050" thick steel, zinc plated
<b>Line Contacts</b>	0.041" thick brass	0.041" thick brass
<b>Terminal Screws</b>	#10-32 brass, nickel plated (neutral screw)	#10-32 brass, nickel plated (neutral screw)
<b>Ground Screw</b>	#10-32 brass (green)	#10-32 brass (green)
<b>Terminal Clamps/Plates</b>	.041" thick brass	.041" thick brass
<b>Ground Contacts</b>	.041" thick brass	.041" thick brass
<b>Back Plate</b>	.041" thick brass, nickel plated	.041" thick brass, nickel plated
<b>Mounting Screws</b>	Steel, zinc plated	Steel, zinc plated

## Product Dimensions



**Figure 4. AHL1420R**

Compliances, specifications and availability are subject to change without notice.

Project Name:	Prepared By:
Project Number:	Date:
Catalog Number:	Type:

## Flanged Outlet & Inlet

NEMA L14-20 20A, 125/250V/AC, 3P-4W

Table 6. Specifications

Catalog No.	NEMA L14-20 Flanged Outlets	NEMA L14-20 Flanged Inlets
<b>NEMA Config</b>	NEMA L14-20	NEMA L14-20
<b>Wiring Type</b>	Back wire	Back wire
<b>Environmental Specifications</b>	<b>Flammability:</b> Meets UL94 requirements; V2 rated <b>Temperature Rating:</b> -40°C to 60°C (-40°F to 140°F)	<b>Flammability:</b> Meets UL94 requirements; V2 rated <b>Temperature Rating:</b> -40°C to 60°C (-40°F to 140°F)
<b>Electrical Specifications</b>	<b>Dielectric Voltage:</b> ≤300V: 2000V, 301-600V: 3000V per UL498 <b>Current Interrupting:</b> Yes, at full-rated current <b>Temperature Rise:</b> Max. 30°C (86°F) after 50 cycles of overload @ 150% of rated current (DC)	<b>Dielectric Voltage:</b> ≤300V: 2000V, 301-600V: 3000V per UL498 <b>Current Interrupting:</b> Yes, at full-rated current <b>Temperature Rise:</b> Max. 30°C (86°F) @ maximum rated current (DC)
<b>Mechanical Specifications</b>	<b>Terminal Accommodation:</b> #14 - #8 AWG <b>Voltage Ratings:</b> Permanently marked on device	<b>Terminal Accommodation:</b> #14 - #8 AWG <b>Voltage Ratings:</b> Permanently marked on device

Table 7. Materials

Catalog No.	NEMA L14-20 Flanged Outlets	NEMA L14-20 Flanged Inlets
<b>NEMA Config</b>	NEMA L14-20	NEMA L14-20
<b>Outer Shell</b>	Nylon	Nylon
<b>Interior Body</b>	Nylon	Nylon
<b>Terminal Retainer</b>	Polycarbonate	Polycarbonate
<b>Blades</b>	N/A	.062" thick brass
<b>Line Contacts</b>	.031" thick bronze, tin plated	N/A
<b>Terminal Clamps</b>	Steel, tin plated	Steel, tin plated
<b>Terminal Screws</b>	#10-32 brass, nickel plated (neutral screw)	#10-32 brass, nickel plated (neutral screw)
<b>Ground Screw</b>	#10-32 brass (green)	#10-32 brass (green)
<b>Assembly Screws</b>	Steel, nickel plated	Steel, nickel plated
<b>Mounting Screws</b>	Steel, zinc plated	Steel, zinc plated

## Product Dimensions

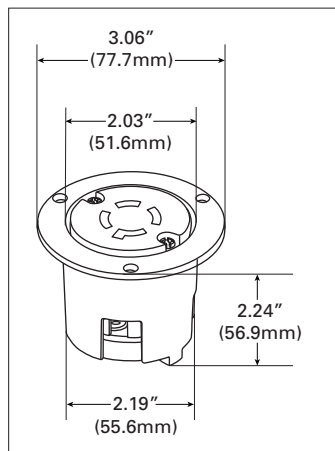


Figure 5. AHL1420FO

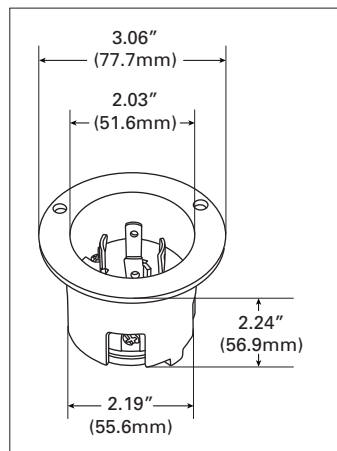


Figure 6. AHL1420FI

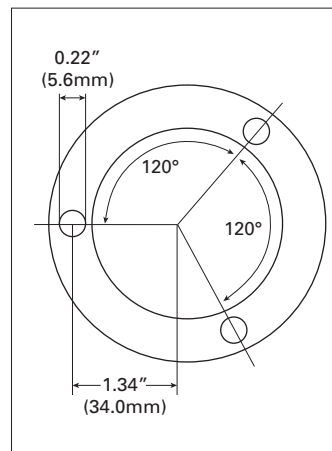








Figure 7. Top View


Compliances, specifications and availability are subject to change without notice.

Project Name:	Prepared By:
Project Number:	Date:
Catalog Number:	Type:

## Certifications & Compliances

Catalog No.						
AHL1420P	•					•
AHL1420PBK	•					•
AHL1420C	•					•
AHL1420CBK	•					•
AHL1420R		•	•	•	•	•
AHIGL1420R		•	•		•	•
AHL1420FOBK		•	•			•
AHL1420FO		•	•		•	•
AHL1420FIBK	•					•
AHL1420FI	•					•

**KEY:**  cULus  UL  CSA  Fed Spec  NAFTA  ROHS

 Parts are manufactured and designed in accordance with article 4 of the European Union's RoHS2 directive 2011/65/EU

**Compliances, specifications and availability are subject to change without notice.**

Electrical Sector  
203 Cooper Circle  
Peachtree City, GA 30269  
United States  
Eaton.com  
Arrowhart.com

Electrical Sector  
Canada Operations  
5925 McLaughlin Road  
Mississauga, Ontario, L5R 1B8  
Canada  
EatonCanada.ca  
Arrowhart.com

Electrical Sector  
Mexico Operations  
Carr. Tlalnepantla -  
Cuautitlan Km 178 s/n  
Col. Villa Jardin esq.  
Cerrada 8 de Mayo  
Cuautitlan, Mexico CP 54800  
Mexico  
Eaton.mx  
Arrowhart.com

**Eaton**  
1000 Eaton Boulevard  
Cleveland, OH 44122  
United States  
Eaton.com

© 2014 Eaton  
All Rights Reserved  
Printed in USA  
Publication No. 125-0090-13  
February 2014

Eaton is a registered trademark.

All other trademarks are property  
of their respective owners.