

MODEL 950XLT2, 950XLT, 950XLTDA

Double Check – Backflow Preventers 3/4" to 2"



Item Number	Description	3/4"	1"	1-1/4"	1-1/2"	2"	2" XLTDA(BF)	3/4" 350D (BY-PASS)
1	CHECK COVER	952-3XL2-010F	952-3XL2-010F	954-3XL2-010F	954-3XL2-010F	954-3XL2-010F	954-3XL2-010F	N/A
2	O-RING, COVER	136N	136N	153N	153N	153N	153N	N/A
3	CHECK SPRING	952-33	952-33	554-33	554-33	554-33	956-33DA	352DA-33
4	POPPET	952-30-010F	952-30-010F	954-30-010F	954-30-010F	954-30-010F	954-30-010F	352-30
5	SEAL RING	952-12S	952-12S	954-12S	954-12S	954-12S	954-12S	N/A
6	SEAL RING RETAINER	952-14	952-14	954-14	954-14	954-14	954-14	N/A
7	RETAINING BOLT	952-11	952-11	952-11	952-11	952-11	952-11	N/A
8	CHECK SEAT #1	952-18T	952-18T	954-18T	954-18T	954-18T	954-18T	352-18A
	CHECK SEAT #2	952-18T	952-18T	954-18T	954-18T	954-18T	954-18T	352-18B
9	O-RING, CHECK SEAT #1	WK-125N	WK-125N	136N	136N	136N	136N	WK-125N
	O-RING, CHECK SEAT #2	WK-125N	WK-125N	136N	136N	136N	136N	126N
10	TEST COCK	18-860XL	18-860XL	14-860XL	14-860XL	14-860XL	14-860XL	18-860XL
11	BALL VALVE, TAPPED, 950XLT2	34-850TXL	1-850TXL	114-850TXL	112-850TXL	2-850TXL	N/A	N/A
11	BALL VALVE, TAPPED, 950XLT	34-850T	1-850T	114-850T	112-850T	2-850T	N/A	N/A
12	BALL VALVE, 950XLT2	34-850XL	1-850XL	114-850XL	112-850XL	2-850XL	N/A	N/A
12	BALL VALVE, 950XLT	34-850	1-850	114-850	112-850	2-850	N/A	N/A
	GATE VALVE (XLTDA)	N/A	N/A	N/A	N/A	N/A	2-48OSYCIT	N/A
	BUTTERFLY VALVE, TAPPED**	N/A	N/A	114-BRXL	112-BRXL	2-49BRXL	2-49BRXL	N/A
	BUTTERFLY VALVE, TAPPED**	N/A	N/A	114-49BRT	112-49BRT	2-49BRT	2-49BRT	N/A
	BUTTERFLY VALVE**	N/A	N/A	114-49BRXL	112-49BRXL	2-49BRXL	2-49BRXL	N/A
	BUTTERFLY VALVE**	N/A	N/A	114-49BR	112-49BR	2-49BR	2-49BR	N/A
13	POPPET ASSEMBLY #1	952-300S	952-300S	954-300S	954-300S	954-300S	954-300S	352-300C
	POPPET ASSEMBLY #2	952-300S	952-300S	954-300S	954-300S	954-300S	954-300S	352-300D
14	TEST COCK CAP PLUG	2-7P	2-7P	2-7P	2-7P	2-7P	2-7P	2-7P
*	HOUSING	N/A	N/A	N/A	N/A	N/A	N/A	352-1A
*	O-RING, HOUSING INLET	N/A	N/A	N/A	N/A	N/A	N/A	214N
*	O-RING, HOUSING OUTLET	N/A	N/A	N/A	N/A	N/A	N/A	223N
*	HOUSING SCREWS	N/A	N/A	N/A	N/A	N/A	N/A	352-11
	HOUSING ASSEMBLY	N/A	N/A	N/A	N/A	N/A	N/A	RK34-350DV
15	WATER METER, 5/8"	N/A	N/A	N/A	N/A	N/A	557-54XL	N/A
	CHECK SEAT TOOL	972-SEATTOOL		974-SEATTOOL				N/A

* SEE 3/4" MODEL 350.

**INTEGRAL SUPERVISORY SWITCH OPTION AVAILABLE

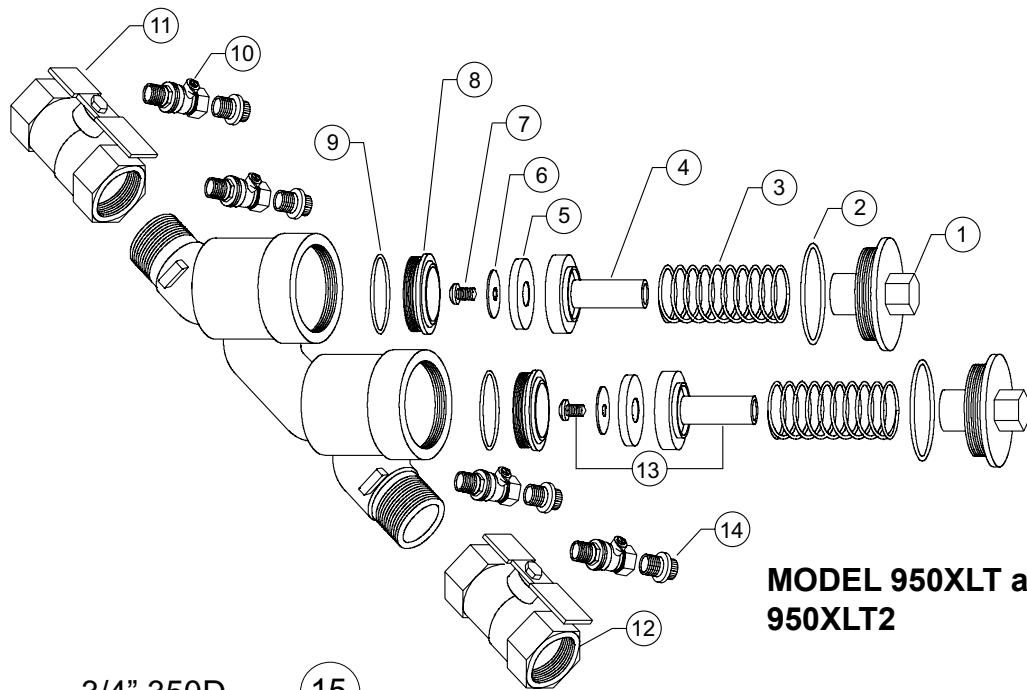
Repair Kit, Rubber and Spring

RK34-950XL Size 3/4" and 1" Only			RK114-950XL Size 1-1/4", 1-1/2", 2" Only		
Part Number	Qty.	Description	Part Number	Qty.	Description
952-12S	2	SEAL RING	954-12S	2	SEAL RING
136N	2	O-RING, COVER	153N	2	O-RING, COVER
952-33	2	CHECK SPRING	554-33	2	CHECK SPRING

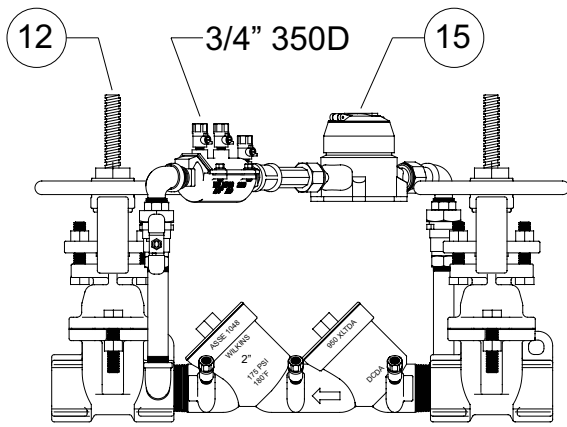
Repair Kit, Rubber

RK34-950XLR Size 3/4" and 1" Only			RK114-950XLR Size 1-1/4", 1-1/2", 2" Only		
Part Number	Qty.	Description	Part Number	Qty.	Description
952-12S	2	SEAL RING	954-12S	2	SEAL RING
136N	2	O-RING, COVER	153N	2	O-RING, COVER

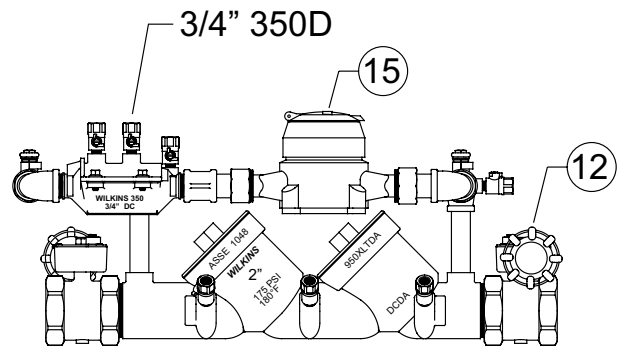
MODEL 950XLT2, 950XLT, 950XLTD A- 3/4" to 2" Parts Drawing



**MODEL 950XLT and
950XLT2**



MODEL 950XLTD A



MODEL 950XLTD A B F

Repair Kit, Seat

RK34-950XLTSK Size 3/4" and 1" Only

Part Number	Qty.	Description
952-18T	2	CHK SEAT, 3/4" XLT
WK-125N	2	O-RING

RK114-950XLTSK Size 1-1/4", 1 1/2", 2" Only

Part Number	Qty.	Description
954-18T	2	CHK SEAT, 1-1/4"-2" 950XLT
136N	2	O-RING

Repair Kit, Complete

RK34-350D Size 3/4"

Part Number	Qty.	Description
352-300C	1	#1 CHECK ASSY
352-300D	1	#2 CHECK ASSY
214N	1	O-RING, HOUSING INLET
223N	1	O-RING, HOUSING OUTLET

Repair Kit, Vessel

RK34-350DV Size 3/4"

Part Number	Qty.	Description
RK34-350DV	1	HOUSING ASSY

Repair Kit, Spring

RK2-950XLTD A Size 2"

Part Number	Qty.	Description
954-12S	2	SEAL RING
153N	2	O-RING, COVER
956-33DA	2	CHECK SPRING