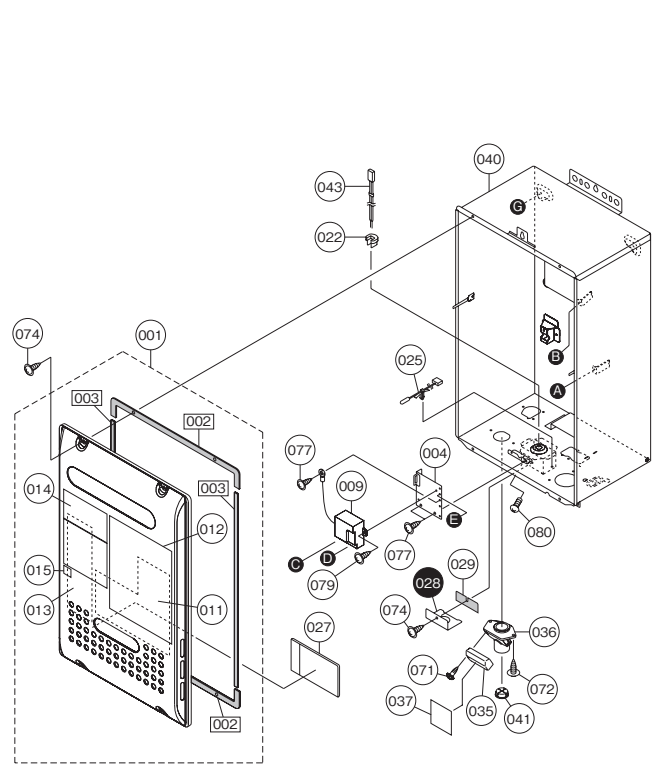
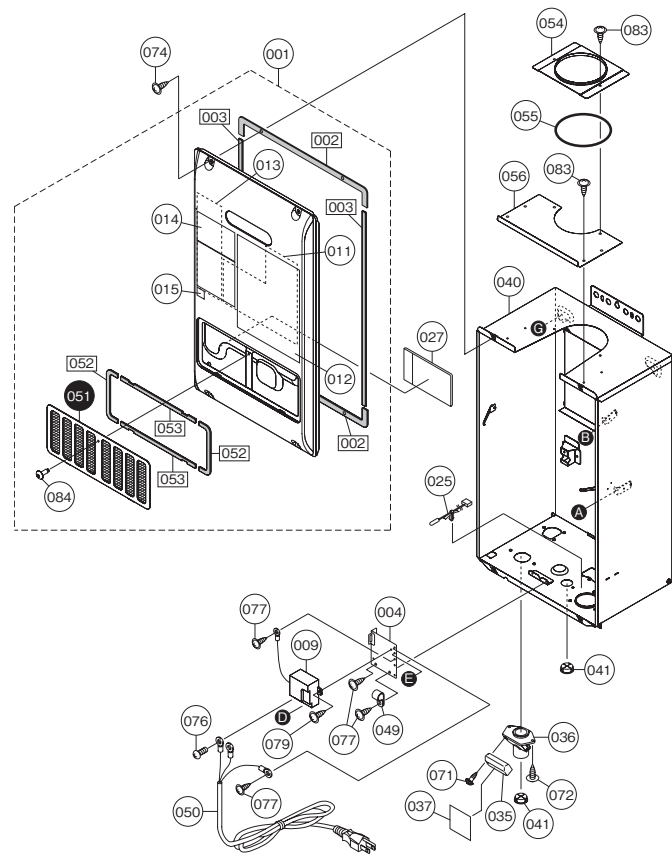


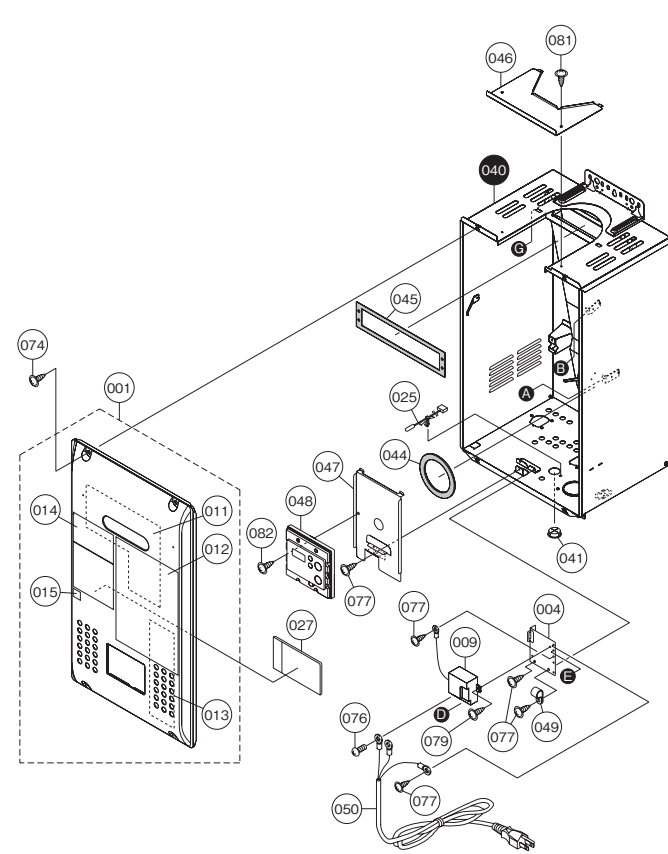
External outfitting NR981-OD·NC1991-OD



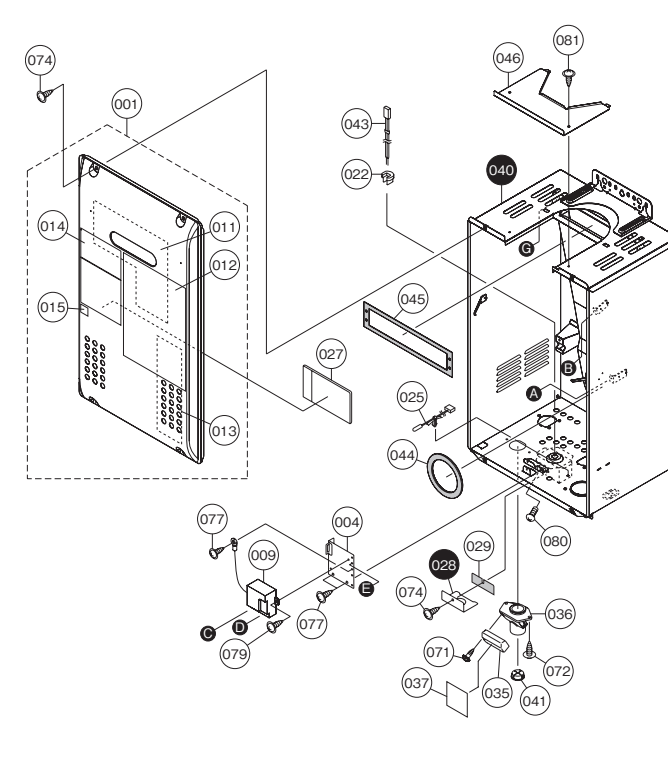
External outfitting NR981-SV



External outfitting NR981-DVC



External outfitting NC1991-DVC



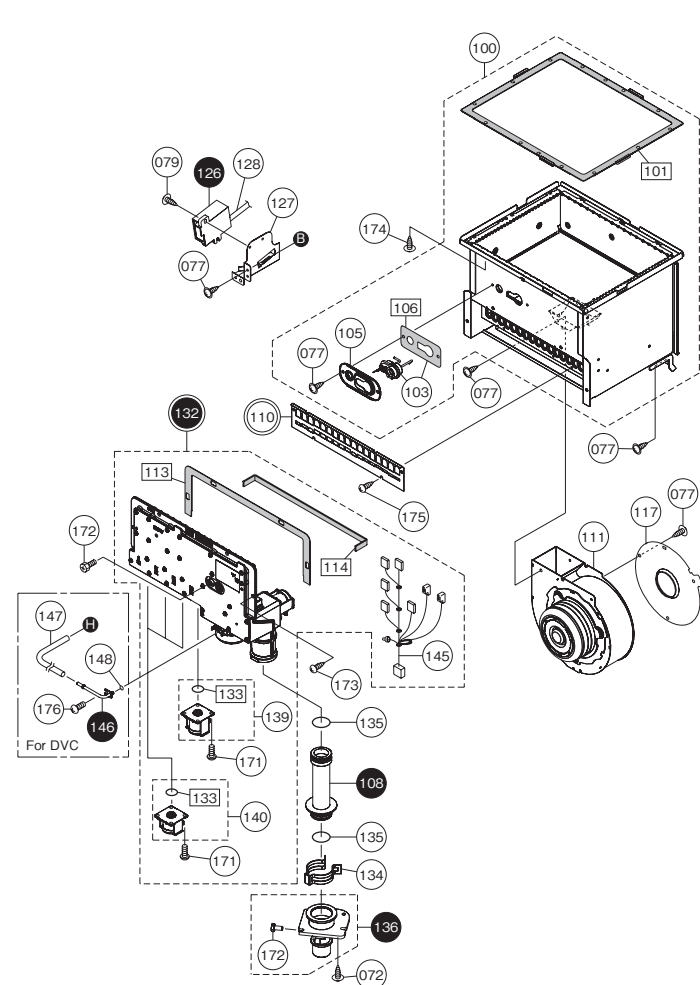
External outfitting 1 NR981(-OD.-SV.-DVC)·NC1991(-OD.-DVC)

Part Nos.	Part Names	Order Nos.	Q'ty/unit
001	NR981-OD Front SET-AS NC1991-OD Front SET-AS NR981-SV Front SET-AS NR981-DVC Front SET-AS NC1991-DVC Front SET-AS	SKH7198 SKH7199 SKH7222 SKH7209 SKH7210	1<NR981-OD> 1<NC1991-OD> 1<NR981-SV> 1<NR981-DVC> 1<NC1991-DVC>
002	Front packing 1 EAA	EAL002	2<OD - SV>
003	Front packing L AAP	AAPL017	2<OD - SV>
004	Mounting plate for current leakage safety device ESW	ESWA032	1
009	Lightning arrester127 ERD	ERD011	1
012	Connection diagram label ESW	ESWK001	1
013	Caution label EN3 ELV	ELVK003	1
014	Caution label FRE ESW	ESWK006	1
015	Rating plate 2 OD (W) ELV	ELVK009	1<OD>
015	Rating plate 2 F ESW	ESWK004	1<SV>
015	Rating plate2 DWIFF ELV	ELVK010	1<DVC>
022	Energy star mark ENJ	ENJ001	1
022	Cond bushing SR-SP-4	SAE6198	1<NR981-OD> 1<NC1991-OD> 1<NR981-DVC>
025	Air thermostat BWC	BWCH003	1
027	Parts list sheet set ESW-A	ESWK082	1
028	Junction box cover (SUS) ENJ-A	ENJA025	1<NR981-OD> 1<NC1991-OD> 1<NR981-DVC>
029	Junction box cover packing ENW	ENWL005	1<NR981-OD> 1<NC1991-OD> 1<NR981-SV>
035	External connection terminal block cover DNS	DNSA025	1<NC1991-OD> 1<NC1991-DVC>
036	External connection terminal block set DNS	DNSA026	1<NR981-OD> 1<NC1991-OD> 1<NR981-SV> 1<NC1991-DVC>
037	Remote control connection cautions label ENJ	ENJK002	1<NR981-OD> 1<NC1991-OD> 1<NR981-SV> 1<NC1991-DVC>
040	Case set WX-W ENJ Case set WZ-W EVF Case SET F ESW Case set WX-FFA ESW Case set WZ-FFA EVF	ESWA001 EVFA101 ESWA011 ESWA021 EVFA121	1<NC1991-OD> 1<NR981-SV> 1<NR981-SV> 1<NR981-DVC> 1<NC1991-DVC>
041	Grommet CXP	CXPA026	1<NR981-OD> 1<NR981-DVC> 1<NC1991-DVC>
043	Grommet CXP Conduit 92-120V ENJ	CXPA026 ENJ020	2<NR981-SV> 1<NR981-OD> 1<NC1991-DVC>
044	Fan Intake packing ERD	ERDL001	1<DVC>
045	Duct packing ERD	ERDL003	1<DVC>
046	Case top cover FFA ELV	ELVA099	1<DVC>
047	Mounting plate for remote controller ELV	ELVA100	1<NR981-DVC>
048	Remote controller (RC-7651MUSA) QXU	QXUJ015	1<NR981-DVC>
049	Nylon clamp HP-4N (NK-4N)	7287909	1<NR981-SV> 1<NR981-DVC>
050	Power supply cord ERD	ERDJ013	1<NR981-SV> 1<NR981-DVC>
051	Intake air filter DTG	DTGA015	1<NR981-SV>
052	Filter packing 1 DTG	DTGL012	2<NR981-SV>
053	Filter packing 2 DTG	DTGL013	2<NR981-SV>
054	Case top cover 2 EDL	EDLA005	1<NR981-SV>

External outfitting 2 NR981(-OD.-SV.-DVC)·NC1991(-OD.-DVC)

Part Nos.	Part Names	Order Nos.	Q'ty/unit
055	Exhaust cylinder packing EDL	EDLL002	1<NR981-SV>
056	Case top cover ELV	ELVA006	1<NR981-SV>
071	Cross recessed round-head collar P TIGHT screw 4X12 S410		<NR981-OD> <NC1991-OD> <NR981-SV> <NC1991-DVC>
072	Cross recessed round-head collar type3 EVERTIGHT tapping screw 4X12 S410		
074	Cross recessed truss type3 EVERTIGHT tapping screw with PW 4X12 S410 Geomet		
076	Cross recessed blind machine screw M3.5x6 S430		
077	Cross recessed round-head collar N-tapping screw 4X8 S410		
079	Cross recessed round-head collar N-tapping screw 4X12 S410		
080	Cross recessed truss machine screw M4X8 S430		<NR981-OD> <NC1991-OD> <NC1991-DVC>
081	Cross recessed truss N-tapping screw with PW 4X12 S410		<NR981-OD> <NC1991-OD> <NC1991-DVC>
082	Cross recessed round-head collar type3 EVERTIGHT tapping screw 4X20 SWRMB Trivalent chromate		<DVC>
083	Cross & straight recessed truss type3 S TIGHT tapping screw 4X10 S410 Pre-coating		<NR981-SV>
084	Cross recessed truss machine long dog point screw with PW (TORX) M4X12 S430	SAE6419	1<NR981-SV>

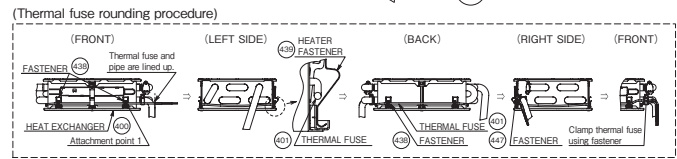
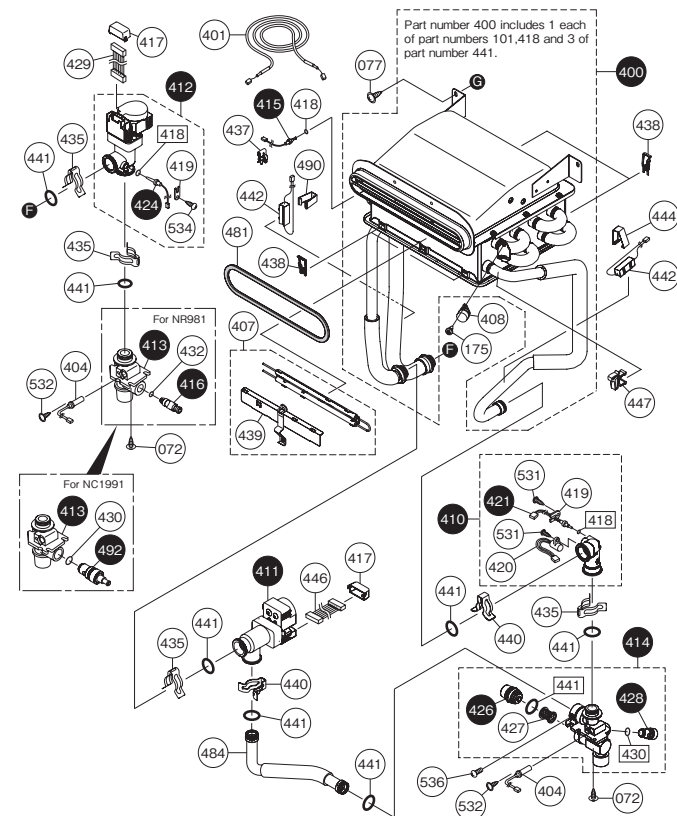
Combustion unit and gas route NR981(-OD.-SV.-DVC)·NC1991(-OD.-DVC)



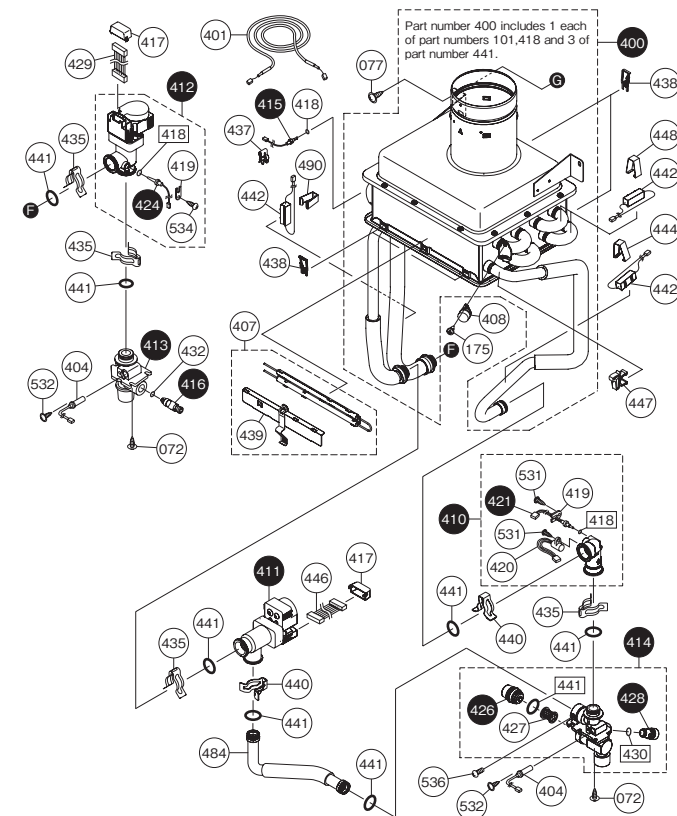
Combustion unit and gas route NR981(-OD.-SV.-DVC)·NC1991(-OD.-DVC)

Part Nos.	Part Names	Order Nos.	Q'ty/unit
100	Combustion tube set ETP SET-V Combustion tube set FFA ESW SET-V	SKH7184 SKH7211	1<OD - SV> 1<DVC>
101	Suction air joint packing ESW	ESWL001	1
103	Ignition plug set ESS SET-V	SKG7311	1
105	Mounting plate for plug SET ESW	ESWC011	1
106	Plug packing Q EHK	EHLK001	1
108	Gas pipe ETP	ETPE011	1
110	Main damper 17-13 EFW	EFWC033	1<LP>
110	Main damper 17-14 EFW	EFWC034	1<NG>
111	Fan motor 100 EJA(ENIG) SET-AS Fan motor 100 ELW(ENIG) SET-AS Fan motor 110 ESW SET-AS	SKC7470 SKC7683 SKH7214	1<OD> 1<SV> 1<DVC>
113	Manifold joint packing top ERD	ERDL007	1
114	Manifold joint packing bottom ERD	ERDL009	1
117	Bell-mouth φ44 CRU	CRUC045	1<OD - SV>
126	Bell-mouth φ40 ETF	ETFF031	1<DVC>
127	Igniter ERD	ERDJ012	1
127	Mounting plate for igniter DTJ	DTJA015	1
128	High-voltage cord 470	SAC1229	1
132	Gas mech. manifold L15ESW SET-AS	SKH7203	1<OD LP - SV LP>
132	Gas mech. manifold L2AESW SET-AS	SKH7187	1<OD NG - SV NG>
132	Gas mech. manifold L16ESW SET-AS	SKH7215	1<DVC LP>
132	Gas mech. manifold L22ESW SET-AS	SKH7216	1<DVC NG>
133	O-ring JASO 2030 type 1	SAA6044	5
134	Quick fastener25.4	6340601	1
135	O-ring P25.5	SAB1512	2
136	Gas fitting 20A SET ELW	ELWE015	1
139	Solenoid S16ERCJASO2030SETV	SKG7181	1
140	Solenoid S06 ERC SET-V	SKG7316	3
145	Conduit R10 ESW	ESWJ015	1
146	Feedback pipe S EHK	EHRAD46	2<DVC>
147	Silicone tube ID6XT2x650 BVH	BVHF007	1<DVC>
148	O-ring P4	2100908	1<DVC>
171	Cross recessed round-head SPAK machine screw with guide M4X12 SWCH22A Trivalent Chromate e pre-coating		
172	Cross recessed hexagon head machine screw M4X8 SWCH12A Trivalent Chromate pre-coating		
173	Cross recessed round-head type3 EVERTIGHT tapping screw 5X16 S410		
174	Cross recessed round-head collar N-tapping screw 4X10 S410		
175	Cross recessed round-head N-tapping screw 4X8 S410		
176	Cross recessed truss P TIGHT screw 4X6 SWRMB Trivalent chromate		<DVC>

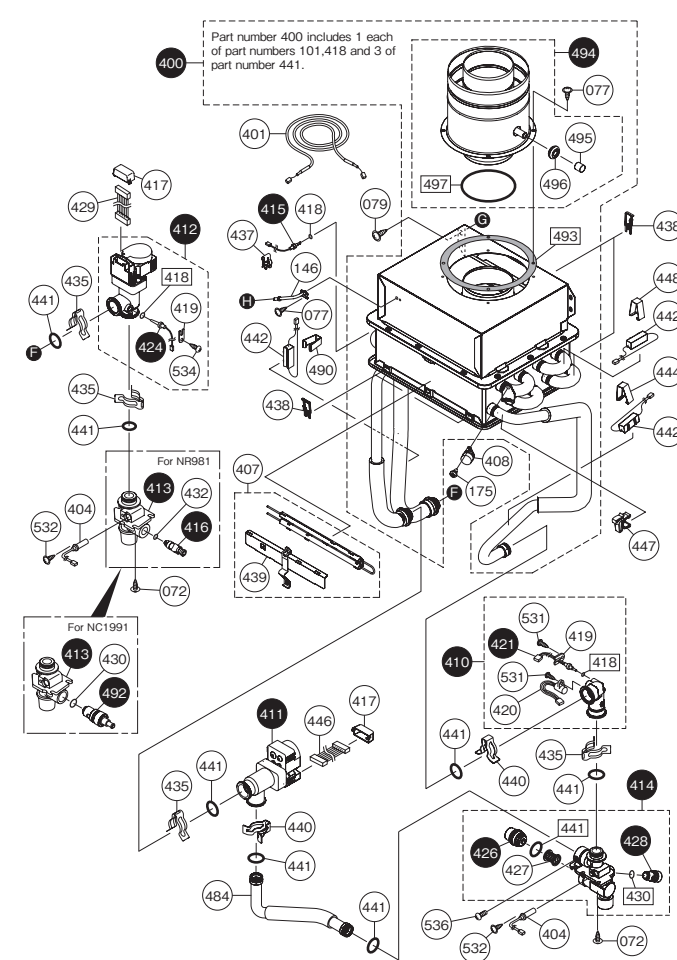
Hot-water feed route NR981-OD-NC1991-OD



Hot-water feed route NR981-SV



Hot-water feed route NR981-DVC-NC1991-DVC

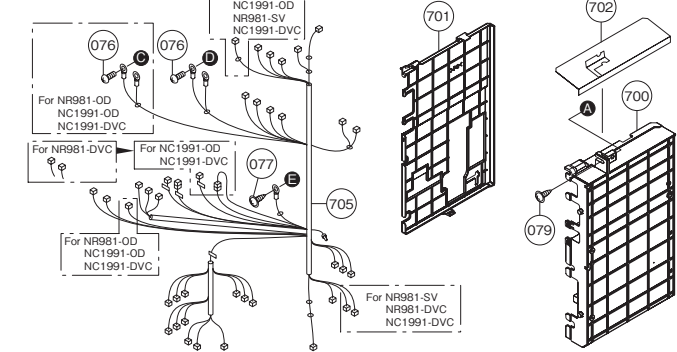


Hot-water feed route NR981(-OD.-SV.-DVC)-NC1991(-OD.-DVC)

Part Nos	Part Names	Order Nos	Q'ty/unit
400	Heat exchanger & Exhaust box W SET-AS OPK	SKH7204	1<OD>
	Heat exchanger & Exhaust box F SET-AS OPK	SKH7206	1<SV>
	Heat exchanger & Exhaust box FFASET-ASOPK	SKH7205	1<DVC>
401	Thermal fuse F ERG label ETP SET-V	SKH7189	1
404	Freeze preventive heater 3 ERD	ERDH003	2
407	Freeze preventive heater Q ETP fastener ERDSET-V	SKH7192	1
408	Remaining flame safety device 94 ELV	ELVH002	1
410	Water flow sensor set ERD	ERDD011	1
411	Water flow servo set 1 ETF	ETFD010	1
412	Water flow servo set 2 ETF	ETFD011	1
413	Hot-water outlet fitting 20A EHU	EVFD004	1<NR981>
	Hot-water outlet fitting 20A SET EVF	EVFD003	1<NC1991>
414	Water inlet fitting 20A SET EJM	EJMD002	1
415	Water inlet thermistor-300 BWC	BWCD096	1
416	Drain cock CRU	CRUD003	1<NR981>
417	Waterproof cover EBT	EBTD023	2
418	Chlorinated water-resistant O-ring P4	1323709	3
419	Thermistor holding plate ALS	ALSD088	2
420	Water outlet magnetic sensor BWC	BWCD090	1
421	Water inlet thermistor-300 BWC	BWCD097	1
424	Heat exchanger thermistor-300 BWC	BWCD098	1
426	Water filter cover DTJ	DTJD006	1
427	Water filter (5US) EGG	EGGD032	1
428	QMF safety valve A(S)	SAA2811	1
429	Conduit R86 JBG	JBGJ024	1
430	Hot-water resistant O-ring P9	SAD6635	1<NR981>
	Hot-water resistant O-ring P9	SAD6635	2<NC1991>
432	Hot-water resistant O-ring P3	SAD6633	1<NR981>
435	Quick fastener 16A	6340300	8
437	Sensor fastener CRU	CRUD055	1
438	Thermal fuse fastener EGL	EGLD002	4
439	Heater fastener SET ERD	ERDH011	1
440	Quick fastener 16-25	SAD6593	2
441	Chlorinated water-resistant O-ring P16	3223302	8
442	Freeze preventive heater 2 ERD	ERDH002	2<OD>
	Freeze preventive heater 2 ERD	ERDH002	4<SV / DVC>
444	Heater fastener L AMM	AMML001	1
446	Conduit B6 ETF	ETFJ033	1
447	Harness clip 16	SAB2775	1
448	Heater fastener LL CPL	CPLL002	2<SV / DVC>
481	Front top packing CZR	CZRL001	1<OD>
484	Bypass pipe ESW	ESWD001	1
490	Heater fastener 22.2 ELV	ELVL011	1
492	Safety valve SET EGG	EGGD029	1<NC1991>
493	Intake pipe packing ELV	ELVL019	1<DVC>
494	Concentric pipe D FFA ELV	ELVF090	1<DVC>
495	Drain pipe cover D FFA ELV	ELVF097	1<DVC>
496	Pipe seal D FFA ELV	ELVF096	1<DVC>
497	O-ring (P8) D FFA ELV	ELVF098	1<DVC>
531	Cross recessed round-head P TIGHT screw 4X10 S305		
532	Cross & straight recessed truss type3 S TIGHT tapping screw 4X6 S410		
534	Cross recessed round-head P TIGHT screw 4X10 S410		
536	Cross recessed round-head machine screw M4X8 S430 Trivalent Chromate (Black)		

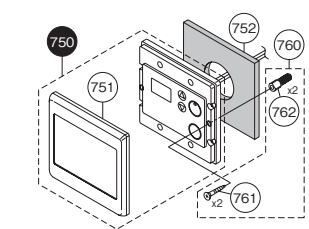
Electronic control unit, Remote controller and Attached set NR981(-OD.-SV.-DVC)-NC1991(-OD.-DVC)

Electronic control unit

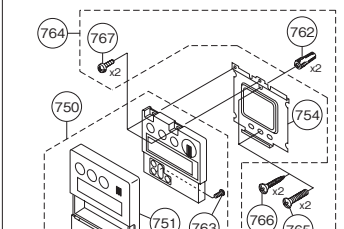


Remote controller

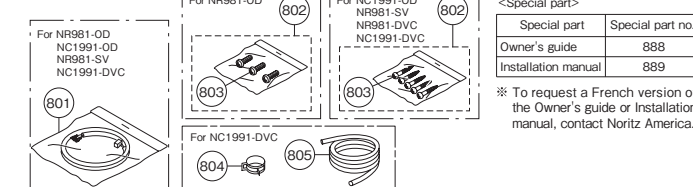
For NR981-OD · NR981-SV RC-7651M-ENG



For NC1991-OD · NC1991-DVC RC-9018M US



Attached set



Electronic control unit, Remote controller and Attached set NR981(-OD.-SV.-DVC)-NC1991(-OD.-DVC)

Part Nos	Part Names	Order Nos	Q'ty/unit
700	Relay case ETP-B SET-AS	SHB7690	1
701	Relay case cover ERD-A	ERDA008	1
702	Relay case waterproof cover W ETH	ETHAD023	1
705	Harness W X-W ESW	ESWJ002	1<NR981-OD>
	Harness WZ EVF	EVFJ011	1<NC1991-OD>
	Harness WX-F ESW	ESWJ031	1<NR981-SV>
	Harness WX-FFA ESW	ESWJ021	1<NR981-DVC>
	Harness WX-FFA EVF	EVFJ021	1<NC1991-DVC>
750	RC-7651M body English QXU	QXUJ017	1<NR981-OD>
	RC-7651M body English QXU	QXUJ017	1<NR981-SV>
	9018M body With US cable QNQ	QNQJ015	1<NC1991-OD>
	9018M body With US cable QNQ	QNQJ015	1<NC1991-DVC>
751	M Dressed frame body NR Solid color QME	QMEA003	1<NR981-OD>
	M Dressed frame body NR 20 English QNQ	QNA020	1<NR981-SV>
	M Dressed frame body NR 20 English QNQ	QNA020	1<NC1991-OD>
752	Wall packing QHU	QHUA115	1<NR981-OD>
	Wall packing QHU	QHUA115	1<NR981-SV>
754	Remote controller fittings QQN	QQNA021	1<NC1991-OD>
	Remote controller fittings QQN	QQNA021	1<NC1991-DVC>
760	Shower remote controller screw set	SAD6448	1<NR981-OD>
	Shower remote controller screw set	SAD6448	1<NR981-SV>
	Shower remote controller screw set	SAD6448	1<NC1991-DVC>
761	Cross recessed round wood screw 4.1X25 S305		
762	Car plug 6X25		
763	Cross recessed bind machine screw M3.5X6 S430		
764	Main remotecontroller screw set (9100) (RS)	SHE6571	<NC1991-DVC>
	Main remotecontroller screw set (9100) (RS)	SHE6571	1<NC1991-OD>
	Main remotecontroller screw set (9100) (RS)	SHE6571	1<NC1991-DVC>
765	Cross recessed flat-head screw M4X35 SWRM8 Trivalent chromate		
	Cross recessed flat-head screw M4X35 SWRM8 Trivalent chromate		1<NC1991-OD>
	Cross recessed flat-head screw M4X35 SWRM8 Trivalent chromate		1<NC1991-DVC>
766	Cross recessed flat-head wood screw (All screw) 4.1X20 SWRM8 Trivalent chromate		
	Cross recessed flat-head wood screw (All screw) 4.1X20 SWRM8 Trivalent chromate		1<NR981-OD>
	Cross recessed flat-head wood screw (All screw) 4.1X20 SWRM8 Trivalent chromate		1<NR981-SV>
	Cross recessed flat-head wood screw (All screw) 4.1X20 SWRM8 Trivalent chromate		1<NC1991-DVC>
800	GQ-2854WX US packing SET-V	SKH7200	1<NR981-OD>
	GQ-2854WX US packing SET-V	SKH7200	1<NR981-SV>
	GQ-2854WX US packing SET-V	SKH7200	1<NC1991-DVC>
	GQ-2854WZ US packing SET-V	SKH7201	1<NC1991-OD>
	GQ-2854WX-FFAUS packing SET V	SKH7212	1<NR981-DVC>
801	GQ-2854WZ-FFAUS packing SET V	SKH7213	1<NC1991-DVC>
	Remote controller cord S included set ETH	ETHM001	1<NR981-OD>
	Remote controller cord S included set ETH	ETHM001	1<NR981-SV>
	Remote controller cord S included set ETH	ETHM001	1<NC1991-DVC>
802	PS3 Screw SET Screw SET(W)	SAB2286	1<NR981-OD>
	PS3 Screw SET Screw SET(W)	SAB2286	1<NR981-SV>
	PS3 Screw SET Screw SET(W)	SAB2286	1<NC1991-DVC>
	PS3 Screw SET Screw SET(W)	SAB2753	1<NR981-OD>
	PS3 Screw SET Screw SET(W)	SAB2753	1<NR981-SV>
	PS3 Screw SET Screw SET(W)	SAB2753	1<NC1991-DVC>
803	Cross recessed round-head machine screw M5X12 S430		
	Cross recessed round-head machine screw M5X12 S430		1<NR981-OD>
	Cross recessed round-head machine screw M5X12 S430		1<NR981-SV>
	Cross recessed round-head machine screw M5X12 S430		1<NC1991-DVC>
804	Crescent clamp 18.5	1230701	1<NR981-OD>
	Crescent clamp 18.5	1230701	1<NR981-SV>
	Crescent clamp 18.5	1230701	1<NC1991-DVC>
805	Drain hose ID17X11.5 AHE	AHED061	1<NR981-OD>
	Drain hose ID17X11.5 AHE	AHED061	1<NR981-SV>
	Drain hose ID17X11.5 AHE	AHED061	1<NC1991-DVC>
888	Owner's guide GQ-2854WX US#B	SBA8893	1<NR981-OD>
	Owner's guide GQ-2854WX US#B	SBA8893	1<NR981-SV>
	Owner's guide GQ-2854WX US#B	SBA8893	1<NC1991-DVC>
	Owner's guide GQ-2854WZ US#A	SBA8883	1<NR981-OD>
	Owner's guide GQ-2854WZ US#A	SBA8883	1<NR981-SV>
	Owner's guide GQ-2854WZ US#A	SBA8883	1<NC1991-DVC>
889	Installation manual GQ-2854WX US	SBA8869	1<NR981-OD>
	Installation manual GQ-2854WZ US	SBA8872	1<NR981-OD>
	Installation manual GQ-2854WX-F US	SBA8870	1<NR981-SV>
	Installation manual GQ-2854WX-FFA US	SBA8871	1<NR981-DVC>
	Installation manual GQ-2854WZ-FFA US	SBA8873	1<NC1991-DVC>

※ To request a French version of the Owner's guide or Installation manual, contact Noritz America.