



see what Delta can do™

102360



X00102360

TWO HANDLE WALL MOUNTED BATHROOM FAUCET TRIM

LLAVES DE AGUA - GRIFOS - DE DOS MANIJAS PARA INSTALACIÓN EN LA PARED

ROBINETS MURAUX À DEUX MANETTES POUR LAVABO

Model Number: _____
Número del modelo
Numéro de modèle

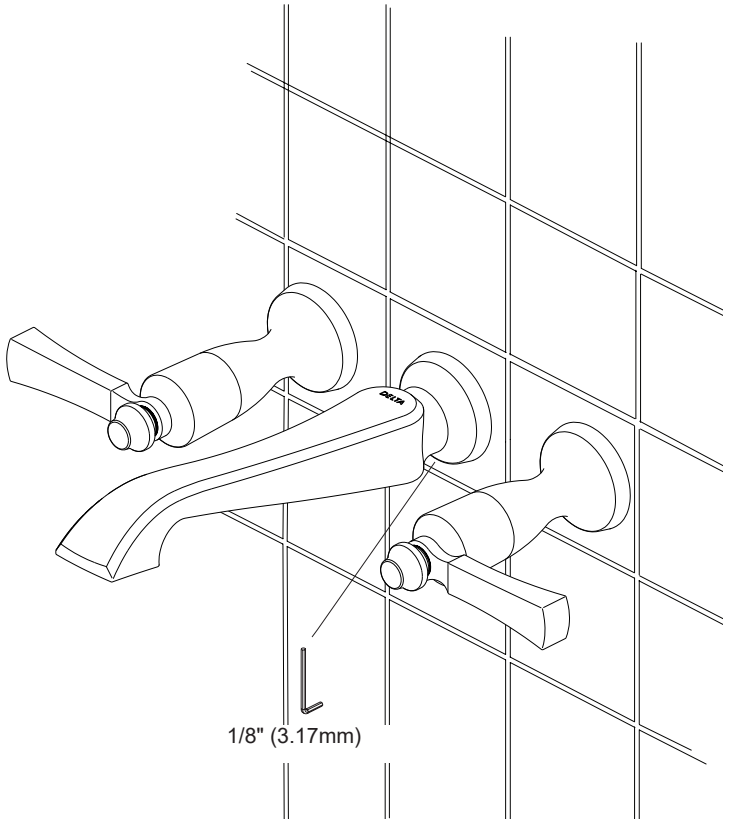
Rough-in R3500-WL required for installation
Rough-in R3500-WL necesario para la instalación
Rough-in R3500-WL requis pour l'installation

Register Online
Regístrese en línea
S'enregistrer en ligne
www.deltafaucet.com/registerme

To reference replacement parts and access additional technical documents and product info, visit www.deltafaucet.com

Para referencia sobre las piezas de repuesto y acceder a documentos técnicos adicionales e información del producto, visite www.deltafaucet.com

Pour obtenir la référence des pièces de rechange ainsi que pour avoir accès à d'autres documents techniques et renseignements sur le produit, allez à www.deltafaucet.com



1/8" (3.17mm)

Image is for reference only.
La imagen es sólo para referencia.
L'image est fournie à titre indicatif seulement.



1-800-345-3358
www.deltafaucet.com/service-parts

Read all instructions prior to installation.

CAUTION

Failure to read these instructions prior to installation may result in personal injury, property damage, or product failure. Manufacturer assumes no responsibility for product failure due to improper installation.

Lea todas las instrucciones antes de hacer la instalación.

ADVERTENCIA

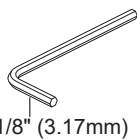
El no leer estas instrucciones de instalación puede resultar en lesiones personales, daños a la propiedad, o falla en el funcionamiento del producto. El fabricante no asume ninguna responsabilidad por la falla del producto debido a una instalación incorrecta.

Veillez lire toutes les instructions avant l'installation.

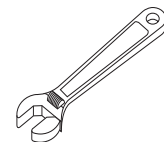
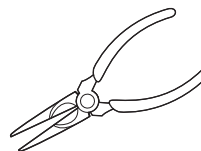
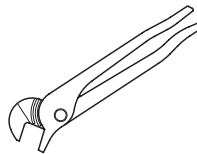
AVERTISSEMENT

L'omission de lire les présentes instructions avant l'installation peut entraîner des blessures, des dommages matériels ou le bris du produit. Le fabricant se dégage de toute responsabilité à l'égard d'un bris du produit causé par une mauvaise installation.

You may need:
Usted puede necesitar:
Articles dont vous pouvez avoir besoin :



1/8" (3.17mm)



Cleaning and Care

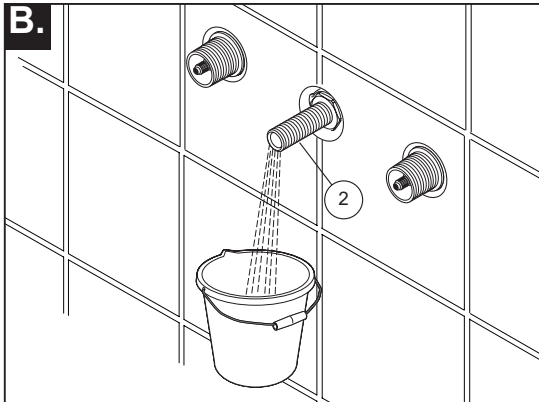
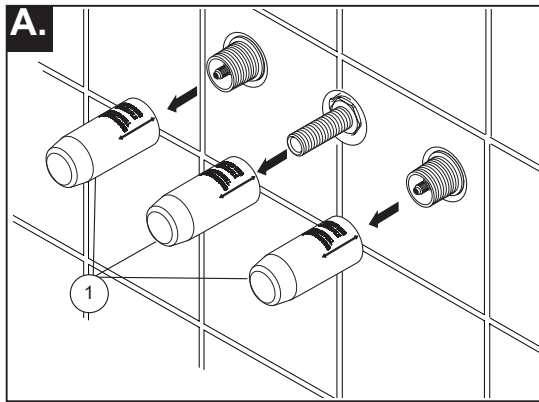
Care should be given to the cleaning of this product. Although its finish is extremely durable, it can be damaged by harsh abrasives or polish. To clean, simply wipe gently with a damp cloth and blot dry with a soft towel.

Limpieza y Cuidado de su Llave

Tenga cuidado al limpiar este producto. Aunque su acabado es sumamente durable, puede ser afectado por agentes de limpieza o para pulir abrasivos. Para limpiar su llave, simplemente frótela con un trapo húmedo y luego séquela con una toalla suave.

Instructions de nettoyage

Il faut le nettoyer avec soin. Même si son fini est extrêmement durable, il peut être abîmé par des produits fortement abrasifs ou des produits de polissage. Il faut simplement le frotter doucement avec un chiffon humide et le sécher à l'aide d'un chiffon doux.

1**FLUSH YOUR SYSTEM**

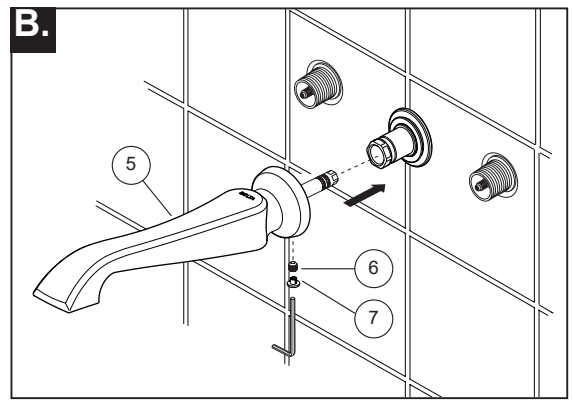
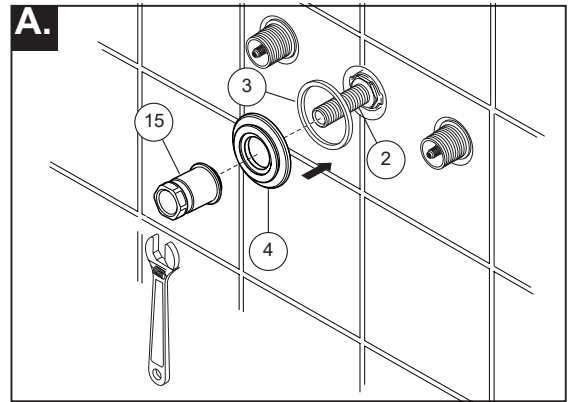
- A.** Pull off plasterguards (1) and discard them.
- B.** Turn on the water supplies to the valve body. Position a bucket in front of spout shank (2). Using pliers, slowly open the hot and cold valve, and allow the water to flow from the spout shank (2), for at least one minute. Close valves. **Important: This flushes away any debris that could cause damage to internal parts or disrupt water flow from your faucet.**

HAGA FLUIR EL AGUA POR SU SISTEMA

- A.** Saque, halando, los protectores de yeso (1) y descártelos.
- B.** Con unos alicates, abra los suministros de agua a la válvula. Coloque un cubo enfrente de la espiga del caño (2). Lentamente abra la válvula de agua caliente y la fría, y permita que el agua fluya de la espiga del caño (2), por lo menos por un minuto. Cierre las válvulas. **Importante: Esto limpia cualquier escombros que pudiera causar daño a las partes internas o interrumpir el flujo del agua de su llave de agua ó grifo.**

RINCEZ L'INSTALLATION

- A.** Retirez les protecteurs (1) et jetez-les.
- B.** Avec une pince, ouvrez les robinets d'arrivée d'eau au corps du mélangeur. Placez un seau devant le manchon du bec (2). Ouvrez lentement les soupapes d'eau chaude et d'eau froide et laissez l'eau couler du manchon du bec (2) pendant au moins une minute. Fermez les soupapes. **Important: cette opération vise à évacuer les corps étrangers qui pourraient abîmer les éléments internes de votre robinet et nuire à son bon fonctionnement.**

2**SPOUT FLANGE AND SPOUT INSTALLATION**

- A.** Install spout flange (4) and gasket (3). **Option: If mounting surface is uneven, apply suitable sealant to the back surface of gasket, according to the manufacturer's instructions.** Finished wall thickness can vary from 1/8" to 1 1/8". Screw mounting nut (15) to the spout shank (2) and tighten it with wrench.
- B.** Install spout (5) and secure with set screw (6), then insert the button (7) to screw hole.

INSTALACIÓN DEL ADAPTADOR DEL SURTIDOR

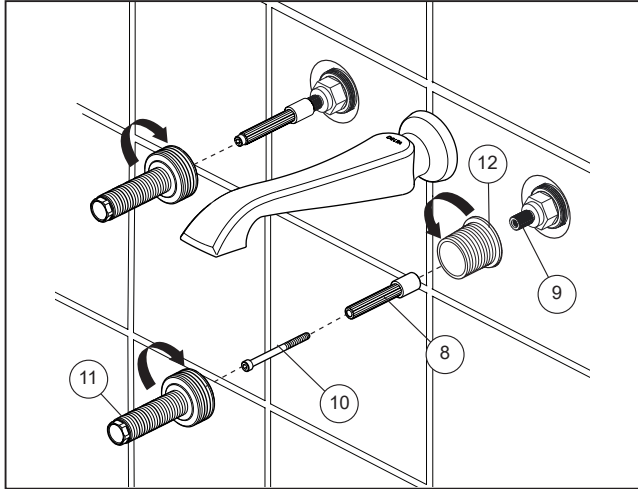
- A.** Instale la brida del surtidor (4) y el empaque (3). **Opción: si la superficie de montaje está desnivelada, aplique sellador adecuado a la superficie posterior del empaque, de acuerdo con las instrucciones del fabricante.** El grosor de la pared terminada puede variar de 1/8" a 1 1/8". Atornille la tuerca de montaje (15) en la espiga del surtidor (2) y apriétela con una llave inglesa.
- B.** Instale el surtidor (5) y asegúrelo con el tornillo de ajuste (6), luego inserte el botón (7) en el agujero para el tornillo.

MONTAGE DE L'ADAPTATEUR DU BEC

- A.** Installez la collerette du bec (4) et le joint (3). **Facultatif : si la surface de montage est inégale, appliquez un agent d'étanchéité adéquat à l'endos du joint conformément aux instructions du fabricant.** L'épaisseur du mur fini peut être comprise entre 1/8 po et 1 1/8 po. Vissez l'écrou de montage (15) sur le manchon du bec (2) et serrez-le avec une clé.
- B.** Installez le bec (5) et fixez-le avec la vis de calage (6), puis introduisez le bouton (7) dans le trou pour la vis.

3

HANDLE FLANGE INSTALLATION (Your install will be one of the steps below.)
INSTALACIÓN DE SOPORTE DEL MANGO (Su instalación se encuentra en uno de los siguientes pasos.)
INSTALLER L'EMBASE (Votre installation est décrite dans l'une des étapes ci-dessous.)



A. NOTE: When drilling holes for hot and cold end valves it is required that the hole size must be less than 1 3/4" (45 mm), 1 5/8"(41 mm) or smaller is recommended.

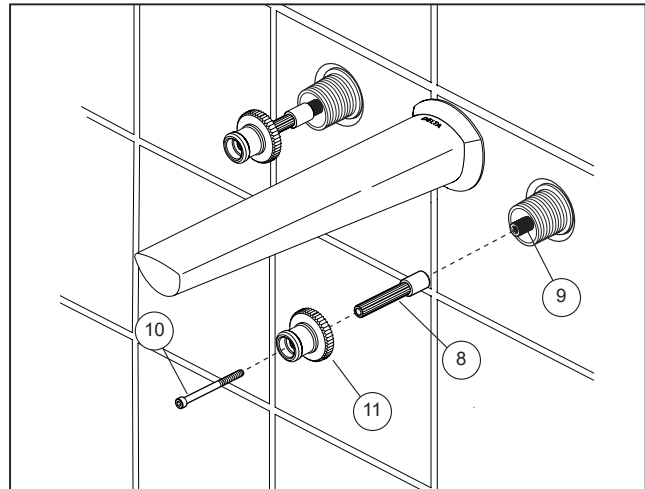
Remove rough sleeve (12) Install handle adapter (8) into mounting stem (9) and secure with screw (10). Thread handle sleeve (11) onto rough.

A. NOTA: Cuando se perforan orificios para válvulas de extremo frío y caliente, se requiere que el tamaño del orificio sea inferior a 1 3/4 " (45 mm), se recomienda 1 5/8" (41 mm) o menos.

Retire el manguito rugoso (12) Instale el adaptador de la manija (8) en el vástago de montaje (9) y fíjelo con el tornillo (10). Enrosque el manguito del mango (11) en bruto.

A. NOTE : Lors du perçage des trous pour les vannes d'extrémité chaude et froide, il est nécessaire que la taille du trou soit inférieure à 45 mm, 41 mm ou plus petite est recommandée.

Retirer le manchon rugueux (12) Installer l'adaptateur de poignée (8) dans la tige de montage (9) et fixer avec la vis (10). Enfiler la douille de poignée (11) sur le brut.



A. NOTE: When drilling holes for hot and cold end valves it is required that the hole size must be less than 1 3/4" (45 mm), 1 5/8"(41 mm) or smaller is recommended.

Install handle adapter (11) and stem extender (8) into mounting stem (9) and secure with screw (10).

A. NOTA: Cuando se perforan orificios para válvulas de extremo frío y caliente, se requiere que el tamaño del orificio sea inferior a 1 3/4 " (45 mm), se recomienda 1 5/8" (41 mm) o menos.

Instale el adaptador del mango (11) y el extensor del vástago (8) en el vástago de montaje (9) y asegúrelos con el tornillo (10).

A. NOTE : Lors du perçage des trous pour les vannes d'extrémité chaude et froide, il est nécessaire que la taille du trou soit inférieure à 45 mm, 41 mm ou plus petite est recommandée.

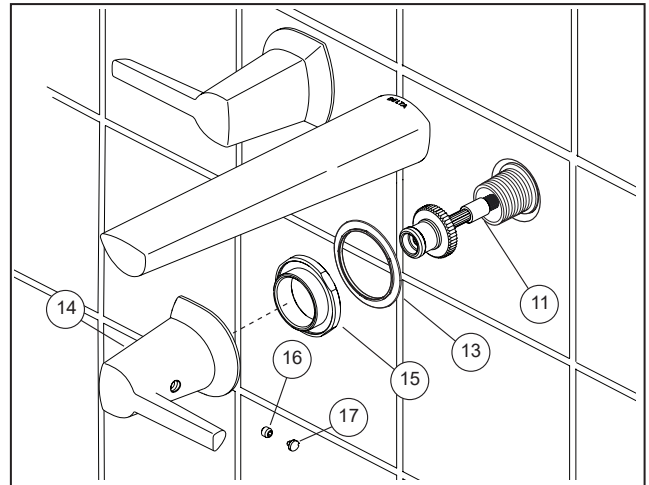
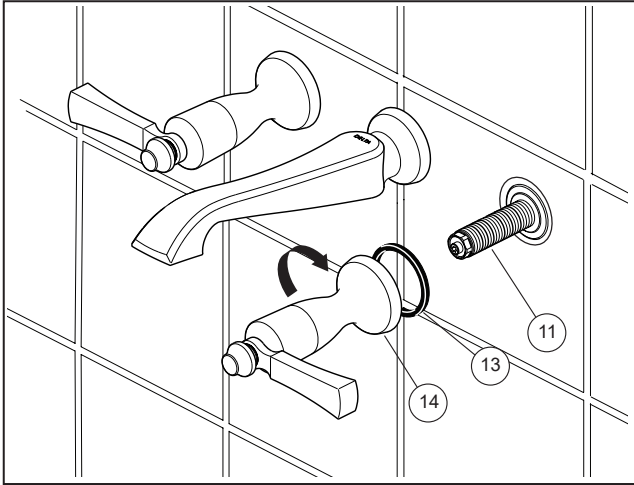
Installer l'adaptateur de poignée (11) et la rallonge de tige (8) dans la tige de montage (9) et fixez-les avec la vis (10).

4

HANDLE INSTALLATION (Your install will be one of the steps below.)

INSTALACIÓN DE LA MANIJA (Su instalación se encuentra en uno de los siguientes pasos.)

INSTALLATION DE LA MANETTE (Votre installation est décrite dans l'une des étapes ci-dessous.)



- A.** Ensure that gasket (13) is installed onto handle (14). Thread handle (14) onto handle sleeve (11).

NOTE: Make sure valve cartridge is in off position. Be sure to use the correct handle assembly by looking for the red / blue marking on handle.

- A.** Install gasket (13) securing to wall using nut (15). Install handle onto adapter (11) securing with set screw (16) then insert button (17) into screw hole.

- A.** Asegúrese de que el empaque (13) esté instalado en la manija (14). Enrosque la manija (14) en la manga de la manija (11).

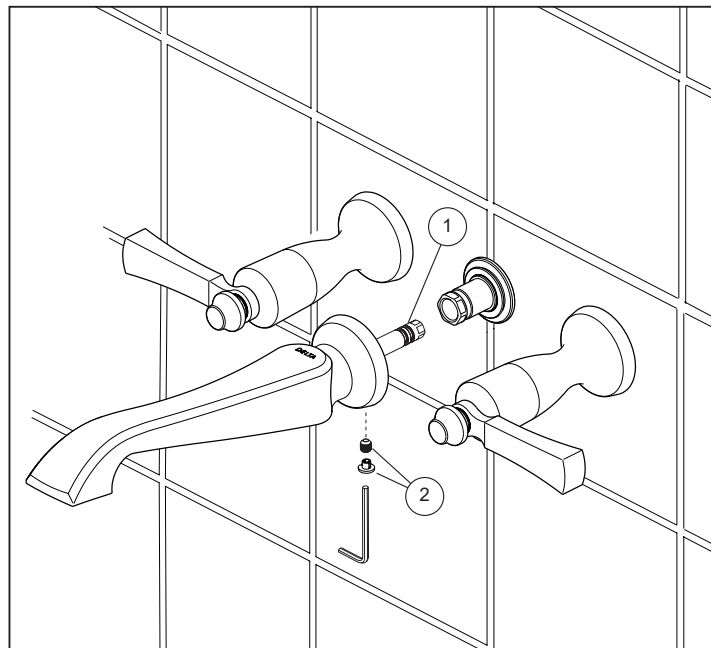
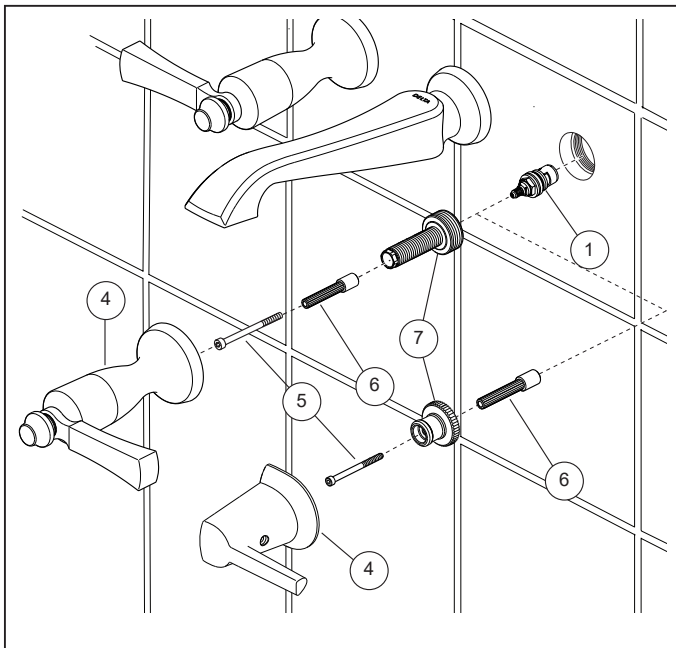
NOTA: Asegúrese de que el cartucho de la válvula está en posición de apagado. Asegúrese de usar el ensamble de mango correcto mirando a las marcas roja y azul del mango.

- A.** Instale la junta (13) asegurándola a la pared con la tuerca (15). Instale el mango en el adaptador (11) asegurándolo con el tornillo de fijación (16) y luego inserte el botón (17) en el orificio del tornillo.

- A.** Assurez-vous que le joint plat (13) se trouve sur la manette (14). Vissez la manette (14) sur le manchon de manette (11).

NOTE: S'assurer que la cartouche est en position éteinte. S'assurer d'utiliser la bonne poignée d'assemblage en regardant la marque rouge ou bleue sur celle-ci.

- A.** Installer le joint (13) en le fixant au mur à l'aide de l'écrou (15). Installez la poignée sur l'adaptateur (11) en le fixant avec la vis de réglage (16), puis insérez le bouton (17) dans le trou de vis.



MAINTENANCE – VALVES

SHUT OFF WATER SUPPLIES BEFORE SERVICING VALVE OR SPOUT ASSEMBLIES

If your faucet leaks out of spout or around handle body, replace valve cartridge (1).

- A. Unthread off handle (4).
- B. Remove screw (5) and stem extender (6).
- C. Remove sleeve (7).
- D. Unscrew cartridge (1) by turning it counterclockwise using a 19 mm hex socket wrench.
- E. Install new cartridge (1) and assemble other parts in reverse order.

NOTE: Line up handles with valves in closed position before refitting handles.

MANTENIMIENTO – VÁLVULAS

CIERRE LOS SUMINISTROS DE AGUA ANTES DE REPARAR LA VÁLVULA O LAS PIEZAS DEL ENSAMBLE DEL SURTIDOR

Si su grifo gotea por el surtidor o alrededor del cuerpo de la manija, reemplace la válvula de (1).

- A. Desenrosque la manija (4).
- B. Retire el tornillo (5) y la extensión de la espiga (6).
- C. Retire la manga (7).
- D. Desatornille el cartucho (1) girándolo hacia la izquierda con una llave de casquillo hexágono de 19 mm.
- E. Instale el cartucho nuevo (1) y ensamble las otras partes en orden inverso.

NOTA: Alinee las manijas con las válvulas en posición cerrada antes de volver a colocarlas.

MAINTENANCE – SPOUT

SHUT OFF WATER SUPPLIES BEFORE SERVICING VALVE OR SPOUT ASSEMBLIES

If your faucet leaks at base of spout, replace spout tube O-rings (1).

- A. Remove button and loosen set screw (2) on bottom side of spout and pull spout straight out to remove it from spout flange.
- B. Replace spout tube O-rings (1).
- C. Reassemble in reverse order.

MANTENIMIENTO – SURTIDOR

CIERRE LOS SUMINISTROS DE AGUA ANTES DE HACERLE EL MANTENIMIENTO A LA VÁLVULA O AL SURTIDOR.

Si la llave de agua tiene una filtración fuga de agua, cambie el juego de “O” anillo (1).

- A. Quite el botón y Afloje el tornillo de ajuste (3) en la parte de abajo del surtidor y hale el surtidor directamente hacia fuera para sacarlo del reborde del surtidor.
- B. Cambie el juego de “O” anillo (1).
- C. Ensamble otra vez en orden inverso.

ENTRETIEN – VALVES

FERMEZ LES ARRIVÉES D'EAU AVANT DE FAIRE L'ENTRETIEN DES ÉLÉMENTS DES SOUPAPES OU DU BEC

Si le robinet fuit par le bec ou le pourtour de la manette, remplacez la cartouche de soupape (1).

- A. Dévissez la manette (4).
- B. Enlevez la vis (5) et la rallonge de tige (6).
- C. Enlevez le manchon (7).
- D. Dévissez la cartouche (1) en la tournant dans le sens antihoraire avec une clé à douille hexagonale de 19 mm.
- E. Montez une cartouche neuve (1) et réassemblez les autres pièces dans l'ordre inverse à celui de leur dépose.

NOTE : Orientez les manettes l'une par rapport à l'autre alors que les soupapes sont fermées, puis remettez-les en place.

ENTRETIEN – BEC

COUPEZ L'ALIMENTATION EN EAU AVANT D'ENTREPRENDRE L'ENTRETIEN DE LA SOUPEAU OU DU BEC

Si le robinet fuit par la base du bec, remplacez le Joint torique de tube bec (1).

- A. Retirez le bouton et desserrez la vis de calage (3) du côté inférieur du bec et tirez directement sur le bec pour le retirer de l'embase de bec.
- B. Reposez le Joint torique de tube bec (1).
- C. Reposez les éléments dans l'ordre inverse à celui de la dépose.

Limited Warranty on Delta® Faucets

Parts and Finish: All parts (other than electronic parts and batteries) and finishes of Delta® faucets purchased from authorized Delta sellers are warranted to the original consumer purchaser to be free from defects in material and workmanship for as long as the original consumer purchaser owns the home in which the faucet was first installed. For commercial purchasers, (a) the warranty period is ten (10) years for multi-family residential applications and (b) five (5) years for all other commercial applications, in each case from the date of original purchase. For purposes of this warranty, the term "multi-family residential application" refers to the purchase of the faucet from an authorized Delta seller by a purchaser who owns but does not live in the residential dwelling in which the faucet is initially installed, such as in a rented or leased single unit or multi-unit detached home (duplex or townhome), or a condominium, apartment building or community living center. The following installations are not considered multi-family residential applications, are excluded from the 10-year warranty and are subject to the 5-year warranty: industrial, institutional or other business premises, such as a dormitory, hospitality premises (hotel, motel or extended stay location), airport, educational facility, long- or short-term healthcare facility (hospital, rehabilitation center, nursing, assisted or staged-care living unit), public space or common area.

Parts and Finish for Delta® Recertified Faucets: Delta Faucet Company offers for sale online Delta® Recertified faucets. Delta® Recertified faucets only include faucets that have been certified as such by Delta Faucet Company. All parts (other than electronic parts and batteries) and finishes of these Delta® Recertified faucets are warranted to the original consumer purchaser to be free from defects in material and workmanship for ten (10) years from the date of original purchase. For commercial purchasers, the warranty period is one (1) year from the date of original purchase.

Electronic Parts: Electronic parts (other than batteries), if any, of Delta® faucets purchased from deltafaucet.com or authorized Delta sellers are warranted to the original consumer purchaser to be free from defects in material and workmanship for five (5) years from the date of original purchase or, for commercial purchasers, for one (1) year from the date of original purchase. No warranty is provided on batteries.

What We Will Do: Delta Faucet Company will repair or replace, free of charge, during the applicable warranty period (as described above), any part or finish that proves defective in material and/or workmanship under normal installation, use and service. Delta Faucet Company may, in its sole discretion, use new, refurbished or recertified parts or products for such repair or replacement. If repair or replacement is not practical, Delta Faucet Company may elect to refund the purchase price in exchange for the return of the product. **These are your exclusive remedies.**

What Is Not Covered: Because Delta Faucet Company is unable to control the quality of Delta products sold by unauthorized sellers, unless otherwise prohibited by law, this warranty does not cover Delta products purchased from unauthorized sellers.

Any labor charges incurred by the purchaser to repair, replace, install or remove this product are not covered by this warranty. Delta Faucet Company shall not be liable for any damage to the faucet resulting from reasonable wear and tear, outdoor use, misuse (including use of the product for an unintended application), freezing water, abuse, neglect or improper or incorrectly performed installation, maintenance or repair, including failure to follow the applicable care and cleaning instructions. Delta Faucet Company recommends using a professional plumber for all installation and repair of faucets. We also recommend that you use only genuine Delta® replacement parts.

What You Must Do To Obtain Warranty Service or Replacement Parts: A warranty claim may be made and replacement parts may be obtained by calling 1 800 345 DELTA (3358) or by contacting us by mail or online as follows (please include your model number and date of original purchase):

In the United States and Mexico:

Delta Faucet Company
55 E. 111th Street
Indianapolis, IN 46280
Attention: Warranty Service
www.deltafaucet.com/service-parts/contact-us

In Canada:

Masco Canada Limited, Plumbing Group
Technical Service Centre
350 South Edgeware Road
St. Thomas, Ontario, Canada N5P 4L1
Attention: Customer Service
http://www.deltafaucet.ca/customersupport/assistance.html

Proof of purchase (original sales receipt) from the original purchaser must be made available to Delta Faucet Company for all warranty claims unless the purchaser has registered the product with Delta Faucet Company or the product is a Delta® Recertified product purchased from deltafaucet.com. This warranty applies only to Delta® faucets manufactured after January 1, 2019 and installed in the United States of America, Canada and Mexico.

Limitation on Duration of Implied Warranties. Please note that some states/provinces (including Quebec) do not allow limitations on how long an implied warranty lasts, so the below limitations may not apply to you. TO THE MAXIMUM EXTENT PERMITTED BY APPLICABLE LAW, ANY IMPLIED WARRANTY, INCLUDING THE IMPLIED WARRANTIES OF MERCHANTABILITY AND OF FITNESS FOR A PARTICULAR PURPOSE, IS LIMITED TO THE STATUTORY PERIOD OR THE DURATION OF THIS WARRANTY, WHICHEVER IS SHORTER.

Limitation of Special, Incidental or Consequential Damages. Please note that some states/provinces (including Quebec) do not allow the exclusion or limitation of special, incidental or consequential damages, so the below limitations and exclusions may not apply to you. TO THE MAXIMUM EXTENT PERMITTED BY APPLICABLE LAW, THIS WARRANTY DOES NOT COVER, AND DELTA FAUCET COMPANY SHALL NOT BE LIABLE FOR, ANY SPECIAL, INCIDENTAL OR CONSEQUENTIAL DAMAGES (INCLUDING LABOR CHARGES TO REPAIR, REPLACE, INSTALL OR REMOVE THIS PRODUCT), WHETHER ARISING OUT OF BREACH OF ANY EXPRESS OR IMPLIED WARRANTY, BREACH OF CONTRACT, TORT, OR OTHERWISE. DELTA FAUCET COMPANY SHALL NOT BE LIABLE FOR ANY DAMAGE TO THE FAUCET RESULTING FROM REASONABLE WEAR AND TEAR, OUTDOOR USE, MISUSE (INCLUDING USE OF THE PRODUCT FOR AN UNINTENDED APPLICATION), FREEZING WATER, ABUSE, NEGLIGENCE OR IMPROPER OR INCORRECTLY PERFORMED INSTALLATION, MAINTENANCE OR REPAIR, INCLUDING FAILURE TO FOLLOW THE APPLICABLE INSTALLATION, CARE AND CLEANING INSTRUCTIONS. Notice to residents of the State of New Jersey: The provisions of this warranty, including its limitations, are intended to apply to the fullest extent permitted by the laws of the State of New Jersey.

Additional Rights: This warranty gives you specific legal rights, and you may also have other rights which vary from state/province to state/province.

This is Delta Faucet Company's exclusive written warranty and the warranty is not transferable. If you have any questions or concerns regarding our warranty, please contact us as provided above or view our Warranty FAQs at www.deltafaucet.com.

© 2022 Delta Faucet Company

Garantía limitada en llaves de agua - grifos Delta®

Piezas y Acabado: Todas las piezas (excepto las piezas electrónicas y las baterías) y los acabados de las llaves de agua-grifos Delta® comprados a vendedores autorizados de Delta están garantizados al comprador consumidor original de no tener defectos de material y fabricación durante el tiempo que el comprador consumidor original sea dueño de la casa en la que el grifo se instaló por primera vez. Para compradores comerciales, (a) el período de garantía es de diez (10) años para aplicaciones residenciales multifamiliares y (b) cinco (5) años para todas las demás aplicaciones comerciales, en cada caso a partir de la fecha de compra original. Para los fines de esta garantía, el término "aplicación residencial multifamiliar" se refiere a la compra del grifo a un vendedor autorizado de Delta por parte de un comprador que es propietario, pero quien no reside en la vivienda en la que se instaló inicialmente el grifo, como en una unidad individual alquilada o arrendada o en una vivienda unifamiliar de unidades múltiples (duplex o casa adosada), o en un condominio, edificio de apartamentos o centro de viviendas comunitarias. Las siguientes instalaciones no se consideran aplicaciones residenciales multifamiliares, están excluidas de la garantía de 10 años y están sujetas a la garantía de 5 años: instalaciones industriales, institucionales u otras instalaciones comerciales, como dormitorios, instalaciones de hospitalidad (hotel, motel o ubicación de estadia prolongada), aeropuerto, centro educativo, centro de atención médica a corto o largo plazo (hospital, centro de rehabilitación, asilo de ancianos, unidad de vivienda asistida o de atención por etapas), espacio público o área común.

Piezas y acabados para llaves de agua-grifos recertificadas Delta®: Delta Faucet Company ofrece a la venta en línea grifos recertificados Delta®. Los grifos recertificados de Delta® solo incluyen grifos que han sido certificados como tales por Delta Faucet Company. Todas las piezas (excepto las piezas electrónicas y las baterías) y los acabados de estas llaves de agua recertificadas de Delta® están garantizados al comprador consumidor original de no tener defectos de material y fabricación durante diez (10) años a partir de la fecha de compra original. Para compradores comerciales, el período de garantía es de un (1) año a partir de la fecha de la compra original.

Piezas electrónicas: Se garantiza al comprador consumidor original que las piezas electrónicas (aparte de las pilas), si las hubiera, de las llaves de agua Delta® compradas en deltafaucet.com o a vendedores autorizados de Delta, estarán libres de defectos de material y fabricación durante cinco (5) años a partir de la fecha de compra original o, para compradores comerciales, durante un (1) año a partir de la fecha de compra original. No se proporciona garantía en las pilas.

Lo que haremos: Delta Faucet Company reparará o reemplazará, sin cargo, durante el período de garantía aplicable (como se describe anteriormente), cualquier pieza o acabado que resulte defectuoso en material y/o fabricación bajo condiciones normales de instalación, uso y servicio. Delta Faucet Company puede, a su exclusivo criterio, usar piezas o productos nuevos, reacondicionados o recertificados para dicha reparación o reemplazo. Si la reparación o el reemplazo no son prácticos, Delta Faucet Company puede optar por reembolsar el precio de compra a cambio de la devolución del producto. **Estas son sus rectificaciones exclusivas.**

Lo que esta garantía no cubre: Debido a que Delta Faucet Company no puede controlar la calidad de los productos Delta vendidos por vendedores no autorizados, a menos que la ley lo prohíba, esta garantía no cubre los productos Delta comprados a vendedores no autorizados.

La garantía no cubre cualquier costo de labor incurrido por el comprador para reparar, reemplazar, instalar o desmontar este producto. Delta Faucet Company no será responsable por cualquier daño al grifo que resulte del desgaste razonable, uso en el exterior, uso indebido, (incluyendo el uso del producto para una aplicación indebida), agua helada, abuso, negligencia o la instalación, el mantenimiento o la reparación, incluido el incumplimiento de las instrucciones de cuidado y limpieza correspondientes. Delta Faucet Company recomienda los servicios de un plomero profesional para toda instalación y reparación de los grifos. También recomendamos que use solo piezas de repuestos genuinas Delta®.

Lo que usted debe hacer para obtener servicio de garantía o piezas de repuesto: Se puede hacer un reclamo para la garantía y se pueden obtener piezas de repuesto llamando al 1 800 345 DELTA (3358) o contactándonos por correo postal o electrónico como indicado (favor incluya el número del modelo y la fecha de compra):

En los Estados Unidos y México:

Delta Faucet Company
55 E. 111th Street
Indianapolis, IN 46280
Atención: Warranty Service
www.deltafaucet.com/service-parts/contact-us

En Canadá:

Masco Canada Limited, Plumbing Group
Technical Service Centre
350 South Edgeware Road
St. Thomas, Ontario, Canada N5P 4L1
Atención: Customer Service
http://www.deltafaucet.ca/customersupport/assistance.html

El comprobante de compra (recibo de venta original) del comprador original debe ser disponible a Delta Faucet Company para todos los reclamos de garantía a menos que el comprador haya registrado el producto en Delta Faucet Company o es un producto recertificado de Delta® comprado de deltafaucet.com. Esta garantía aplica solo a las llaves de agua/grifos Delta® fabricados después de enero 1, 2019 e instalados en los Estados Unidos de América, Canadá y México.

La limitación de la duración de las garantías implícitas. Favor de tomar nota que algunos estados/provincias (incluyendo Quebec) no permiten las limitaciones de la duración de una garantía implícita por lo que las limitaciones a continuación puedan no aplicarse. HASTA EL ALCANCE MÁXIMO EN QUE LA LEY LO PERMITA, CUALQUIER GARANTÍA IMPLÍCITA, INCLUIDAS LAS GARANTÍAS IMPLÍCITAS DE COMERCIABILIDAD Y DE IDONEIDAD PARA UN PROPÓSITO PARTICULAR, ESTÁ LIMITADA AL PERÍODO LEGAL O A LA DURACIÓN DE ESTA GARANTÍA, LO QUE SEA MÁS CORTO.

Limitación de daños especiales, incidentales o consecuentes. Tenga en cuenta que algunos estados/provincias (incluyendo Quebec) no permiten la exclusión o limitación de daños especiales, incidentales o consecuentes, por lo que las limitaciones y exclusiones a continuación puedan no aplicarse. HASTA EL ALCANCE MÁXIMO PERMITIDO POR LA LEY APPLICABLE, ESTA GARANTÍA NO CUBRE, Y DELTA FAUCET COMPANY NO SERÁ RESPONSABLE DE DAÑOS ESPECIALES, INCIDENTALES O CONSECUENTES (INCLUIDOS LOS COSTOS LABORALES PARA REPARAR, REEMPLAZAR, INSTALAR O RETIRAR ESTE PRODUCTO) SEAN EL RESULTADO DE INCUMPLIMIENTO DE CUALQUIER GARANTÍA EXPRESA O IMPLÍCITA, INCUMPLIMIENTO DE CONTRATO, AGRAVIO O DE OTRA MANERA. DELTA FAUCET COMPANY NO SE RESPONSABILIZARÁ POR CUALQUIER DAÑO AL PRODUCTO QUE RESULTE DEL DESGASTE RAZONABLE, USO EN EL EXTERIOR DE LA PROPIEDAD, USO INDEBIDO (INCLUYENDO EL USO DEL PRODUCTO PARA UNA APLICACIÓN NO INTENCIONADA), AGUA HELADA, ABUSO, NEGLIGENCIA O INSTALACIÓN, MANTENIMIENTO O REPARACIÓN INADECUADA O INCORRECTA, INCLUYENDO EL NO SEGUIR LAS INSTRUCCIONES CORRESPONDIENTES PARA LA INSTALACIÓN, EL CUIDADO, Y LA LIMPIEZA. Aviso para los residentes del estado de New Jersey: Las disposiciones de este documento tienen la intención de aplicarse al alcance máximo permitido por las leyes del estado de New Jersey.

Derechos adicionales: Esta garantía le otorga derechos legales específicos, y también puede tener otros derechos que varían de estado/provincia a estado/provincia.

Esta es la garantía escrita exclusiva de Delta Faucet Company y la garantía no es transferible.

Si tiene preguntas o dudas con respecto a nuestra garantía, por favor comuníquese con nosotros como se indica arriba o visite nuestro sitio web www.deltafaucet.com preguntas y respuestas frecuentes FAQs

© 2022 Empresa de grifos Delta

Garantie limitée des robinets Delta®

Pièces et finis: Tous les pièces (autres que les composants électroniques et les piles) et les finis de ce robinet Delta® achetés chez des vendeurs Delta autorisés sont protégés contre les défauts de matériel et les vices de fabrication par une garantie qui est consentie au premier acheteur au détail et qui demeure valide tant que celui-ci est devenu propriétaire de la maison dans laquelle le robinet a été installé. En ce qui concerne les acheteurs commerciaux, la période de garantie est de dix (10) ans pour les applications résidentielles multifamiliales et b) de cinq (5) ans pour toutes les autres applications commerciales, à compter de la date d'achat dans chaque cas. Dans le libellé de la présente garantie, on entend par « application résidentielle multifamiliale », un robinet acheté chez un vendeur Delta autorisé par un acheteur qui est propriétaire d'un logement résidentiel sans l'habiter et installé pour la première fois dans cet immeuble. Il peut s'agir d'un immeuble individuel comportant un ou plus d'un logement loué (duplex ou groupe de maisons en rangée), d'un condominium, d'un immeuble d'habitation ou d'un centre d'intégration communautaire. Les applications décrites ci-après ne sont pas considérées comme des applications multifamiliales et elles sont couvertes par la garantie de 5 ans plutôt que par la garantie de 10 ans. Ce sont les suivantes : robinets installés dans un bâtiment industriel, un bâtiment institutionnel et un autre immeuble commercial, notamment une résidence d'étudiants, un lieu d'hébergement (hôtel, motel ou lieu de séjour prolongé), un aéroport, un établissement d'enseignement, un établissement de soins de santé de courte ou de longue durée (hôpital, centre de réadaptation, maison de soins infirmiers), un endroit public ou un lieu commun.

Pièces et finis des robinets recertifiés Delta®: Delta Faucet Company offre en vente en ligne des robinets recertifiés Delta®. Les robinets recertifiés Delta® comprennent uniquement les robinets qui ont été certifiés à ce titre par Delta Faucet Company. Tous les pièces (autres que les pièces électroniques et les piles) et les finis de ces robinets Delta® recertifiés sont protégés contre les défauts de matériel et les vices de fabrication par une garantie qui est consentie au premier acheteur au détail et qui est d'une durée de dix (10) ans à compter de la date d'achat initiale. En ce qui concerne les acheteurs commerciaux, la période de garantie est d'un (1) an à compter de la date d'achat initiale.

Composants électroniques: Les composants électroniques (autres que les piles) de ce robinet Delta® qui ont été achetés auprès de deltafaucet.com ou de vendeurs Delta autorisés sont protégés contre les défauts de matériel et les vices de fabrication par une garantie consentie au premier acheteur au détail qui est de cinq (5) ans à compter de la date d'achat initiale. En ce qui concerne les acheteurs commerciaux, la période de garantie est d'un (1) an à compter de la date d'achat initiale. Les piles ne sont pas couvertes par la garantie.

Ce que nous ferons: Delta Faucet Company réparera ou remplacera gratuitement, pendant la période de garantie applicable (décrite ci-dessus), toute pièce ou tout fini qui présentera une défécuosité de matériel et/ou un vice de fabrication pour autant que le produit ait été installé, utilisé et entretenu normalement. Delta Faucet Company peut, à sa seule discrétion, utiliser des produits neufs, remis à neuf ou recertifiés ou des pièces neuves, remise à neuf ou recertifiées pour effectuer la réparation ou le remplacement. S'il n'est pas utile de réparer ou de remplacer le produit, Delta Faucet Company pourra rembourser le prix d'achat en échange du produit retourné. **Il s'agit de vos seuls recours.**

Ce qui n'est pas couvert: Étant donné que Delta Faucet Company n'est pas en mesure de contrôler la qualité des produits vendus par des vendeurs non autorisés, la présente garantie ne s'applique pas aux produits Delta vendus par des vendeurs non autorisés, à moins que cette restriction ne soit interdite par la loi.

La présente garantie ne couvre pas les frais de main-d'œuvre encourus par l'acheteur pour la réparation, le remplacement, l'installation ou la dépose du robinet. Delta Faucet Company se dégage de toute responsabilité à l'égard de toute détérioration du robinet résultant d'une usure raisonnable et des dommages causés par une utilisation à l'extérieur, un mauvais usage (y compris l'utilisation du produit à des fins autres que celles auxquelles il est destiné), le gel de l'eau, un usage abusif, la négligence ou l'utilisation d'une méthode d'installation, de maintenance ou de réparation incorrecte ou inadéquate, y compris les dommages résultant du non-respect des instructions de nettoyage et d'entretien applicables. Delta Faucet Company vous recommande de confier tous les travaux d'installation et de réparation à un plombier professionnel. Nous vous recommandons également d'utiliser uniquement des pièces de rechange Delta® authentiques.

Aux États-Unis et au Mexique

Delta Faucet Company
55 E. 111th Street
Indianapolis, IN 46280
Attention: Warranty Service
www.deltafaucet.com/service-parts/contact-us

Au Canada:

Masco Canada Limited, Groupe plomberie
Centre de services techniques
350, chemin South Edgeware
St. Thomas (Ontario) Canada N5P 4L1
À l'attention du Service à la clientèle
http://www.deltafaucet.ca/customersupport/assistance.html

La preuve d'achat (original du reçu) du premier acheteur doit être présentée à Delta Faucet Company pour toutes les demandes en vertu de la garantie, sauf si le produit a été enregistré auprès de Delta Faucet Company ou si le produit est un produit recertifié Delta® acheté auprès de deltafaucet.com. La présente garantie s'applique uniquement aux robinets Delta® fabriqués après le 1er janvier 2019 et installés aux États-Unis d'Amérique, au Canada et au Mexique.

Limitation de la durée des garanties implicites. Veuillez noter que dans les États ou les provinces (y compris le Québec) où il est interdit de limiter la durée d'une garantie implicite, les limites mentionnées ci-dessous peuvent ne pas s'appliquer. DANS LA MESURE DE CE QUI EST PERMIS PAR LA LOI APPLICABLE, TOUTES LES GARANTIES IMPLÍCITES, Y COMPRIS LES GARANTIES IMPLÍCITES DE QUALITÉ MARCHANDE ET D'ADEQUATION À UN USAGE PARTICULIER, SE LIMITENT À LA PÉRIODE FIXÉE PAR LA LOI OU À LA DURÉE DE LA PRÉSENTE GARANTIE. LA PLUS COURTE DES DEUX PÉRIODES S'APPLIQUENT.

Limitation des dommages particuliers, consécutifs ou indirects. Veuillez noter que dans les États ou les provinces (y compris le Québec) où il est interdit d'exclure ou de limiter les dommages particuliers, consécutifs ou indirects, les exclusions et les limites mentionnées ci-dessous peuvent ne pas s'appliquer. DANS LA MESURE DE CE QUI EST PERMIS PAR LA LOI APPLICABLE, DELTA FAUCET COMPANY SE DÉGAGE DE TOUTE RESPONSABILITÉ À L'ÉGARD DES DOMMAGES PARTICULIERS, CONSÉQUENTS ET INDIRECTS (Y COMPRIS LES FRAIS DE MAIN-D'ŒUVRE POUR LA RÉPARATION, LE REMPLACEMENT, L'INSTALLATION OU LA DÉPOSE DU PRODUIT), PEU IMPORTÉ QU'ILS DÉCOULENT D'UNE RUPTURE D'UNE GARANTIE IMPLÍCITE OU EXPLÍCITE, D'UNE RUPTURE DE CONTRAT, D'UN DÉLIT CIVIL OU D'UNE AUTRE CAUSE. DELTA FAUCET COMPANY SE DÉGAGE DE TOUTE RESPONSABILITÉ À L'ÉGARD DE TOUTE DÉTÉRIORATION DU ROBINET RÉSULTANT D'UNE USURE RAISONNABLE ET DES DOMMAGES CAUSÉS PAR UNE UTILISATION À L'EXTÉRIEUR, UN MAUVAIS USAGE (Y COMPRIS L'UTILISATION DU PRODUIT À DES FINS AUTRES QUE CELLES AUXQUELLES IL EST DESTINÉ), LE GEL DE L'EAU, UN USAGE ABUSIF, LA NÉGLIGENCE OU L'UTILISATION D'UNE MÉTHODE D'INSTALLATION, DE MAINTENANCE OU DE RÉPARATION INCORRECTE OU INADÉQUATE, Y COMPRIS LES DOMMAGES RÉSULTANT DU NON-RESPECT DES INSTRUCTIONS D'INSTALLATION, D'ENTRETIEN ET DE NETTOYAGE APPLICABLES, ET CES DOMMAGES NE SONT PAS COUVERTS PAR LA GARANTIE. Avis à l'intention des résidents de l'État du New Jersey : Les dispositions de la présente garantie, y compris ses limitations, s'appliquent dans toute la mesure permise par les lois de l'État du New Jersey.

Droits supplémentaires: La présente garantie vous procure des droits précis reconnus par la loi. Vous pouvez avoir d'autres droits qui varient selon l'État ou la province.

La présente garantie écrite est la seule garantie offerte par Delta Faucet Company et elle n'est pas transférable.

Si vous avez des questions ou des préoccupations concernant notre garantie, veuillez communiquer avec nous de la manière indiquée ci-dessus ou consulter notre FAQ sur la garantie à www.deltafaucet.com..

© 2022 Entreprise de robinetterie Delta