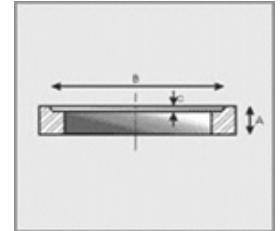


DIMENSIONAL SPECIFICATIONS

LEAD-FREE IMPORT BRASS FITTINGS* 125 LB.

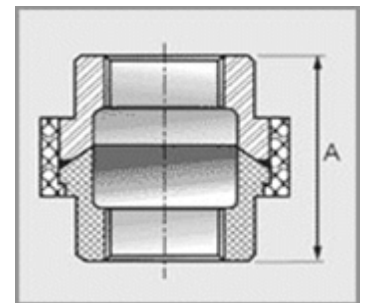
HEX LOCKNUT

Part #	Size (IN.)	Approx. Net WT. (LB.)	A	B	C
XNL119-02	1/8	0.03	0.19	0.50	0.04
XNL119-04	1/4	0.03	0.25	0.66	0.06
XNL119-06	3/8	0.04	0.28	0.77	0.06
XNL119-08	1/2	0.10	0.31	0.97	0.06
XNL119-12	3/4	0.13	0.34	1.23	0.06
XNL119-16	1	0.20	0.38	1.50	0.06
XNL119-20	1-1/4	0.29	0.42	1.86	0.06
XNL119-24	1-1/2	0.52	0.47	2.12	0.06
XNL119-32	2	0.64	0.53	2.63	0.09



UNION

Part #	Size (IN.)	Approx. Net WT. (LB.)	A
XNL187-02	1/8	0.13	1.17
XNL187-04	1/4	0.22	1.25
XNL187-06	3/8	0.39	1.48
XNL187-08	1/2	0.47	1.56
XNL187-12	3/4	0.69	1.87
XNL187-16	1	1.03	2.11
XNL187-20	1-1/4	1.52	2.34
XNL187-24	1-1/2	2.09	2.65
XNL187-32	2	3.12	2.96
XNL187-40	2-1/2	5.39	3.32
XNL187-48	3	6.49	3.71
XNL187-64	4	5.20	4.60



*Conforms with lead content requirements for lead-free plumbing as defined by the U.S. Safe Drinking Water Act. Certified <0.25 weighted average % lead.

MERIT BRASS

DIRECTING THE FLOW OF *Quality*