

## **4" Two Handle Laundry Faucet**



**Product Spec Sheet**

### **FEATURES & BENEFITS**

P4C-386CA  
Chrome Finish

- Metal Wing Handles
- Washerless Cartridges
- Min Flow Rate 4 GPM(15.2 LPM) at 20 PSI (ASME.A112.18.1)

#### **APPROVALS:**

**Meets or Exceeds The Following:**

- \* ANSI/ASME A112.18.1
- \* IAPMO/UPC

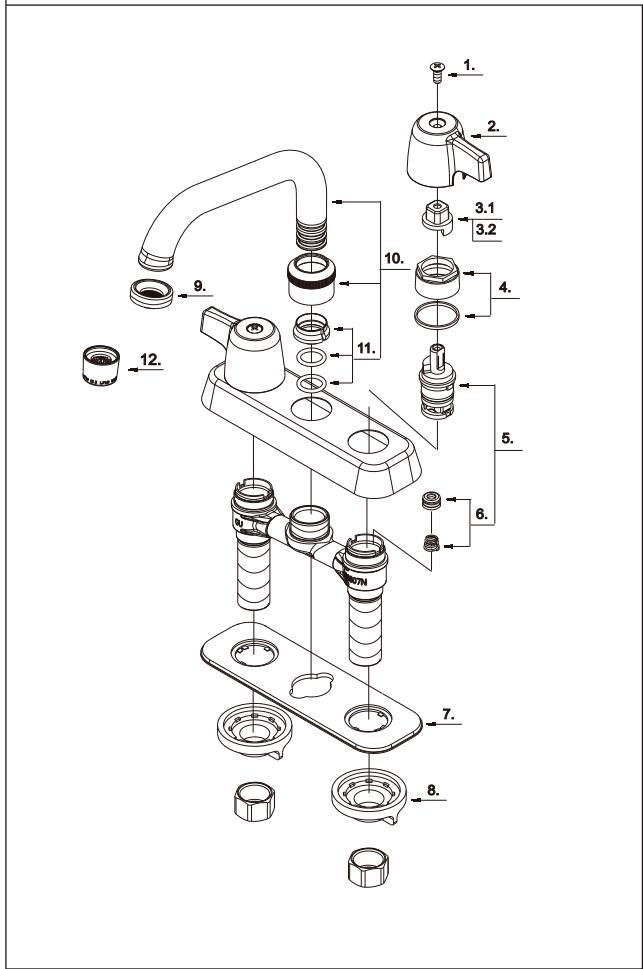


**TEL: 855-806-0688    FAX: 845-350-4043**

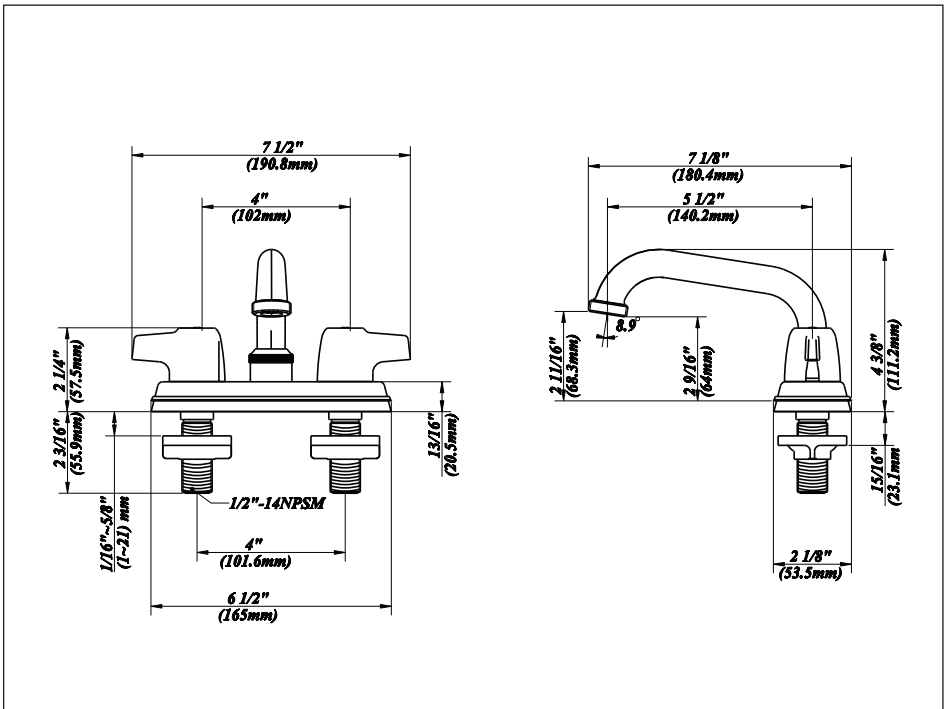
Visit Our Web Site : [www.plumb4orce.com](http://www.plumb4orce.com)

# 4" Two Handle Laundry Faucet

No.	Name	Material
1	Screw (3/16" -24 * 7/16" L)	Brass
2	Metal Handle	Zinc Alloy
3.1	Handle Adaptor-Cold	Plastic
3.2	Handle Adaptor-Hot	Plastic
4	Retainer Nut & Washer	Zinc Alloy & Plastic
5	Cartridge Assembly	Stainless Steel & Plastic
6	Seat & Spring Set * 2	Stainless Steel & Plastic
7	Putty Plate	Plastic
8	Lock Nut Set	Plastic
9	Flow Straightener	Brass
10	Spout Assembly	Brass
11	Spout Seal Kit	Plastic
12	Aerator	Brass



**Product Spec Sheet**



**APPROVALS:**

Meets or Exceeds The Following:

\* ANSI/ASME A112.18.1

\* IAPMO/UPC

TEL: 855-806-0688 FAX: 845-350-4043

Visit Our Web Site : [www.plumb4orce.com](http://www.plumb4orce.com)