

**For Residential and Commercial Applications**

Job Name \_\_\_\_\_  
 Job Location \_\_\_\_\_  
 Engineer \_\_\_\_\_  
 Approval \_\_\_\_\_

Contractor \_\_\_\_\_  
 Approval \_\_\_\_\_  
 Contractor's P.O. No. \_\_\_\_\_  
 Representative \_\_\_\_\_

**LEAD FREE\***

**Series LFBD**  
**Brass Boiler Drain Shutoffs**  
**for Water Service**

Sizes: 1/2" x 3/4" – 3/4" x 3/4" (15 x 20mm – 20 x 20mm)

**Features**

- 3/4" (20mm) hose thread connection on outlet
  - Lead Free\* brass body
  - Dual solder or IP connection models
  - Angle and straight pattern models
- The LFBD features Lead Free\* construction to comply with Lead Free\* installation requirements.

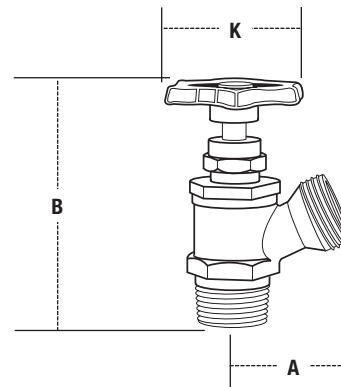


**Pressure – Temperature**

Maximum Pressure: 200psi (14 bar) WOG, non-shock  
 Maximum Temperature: 180°F (82°C)

**Models**

- LFBD-1C** – Size 1/2" (15mm) dual connection, solder or male IPS x 3/4" (20mm) hose thread connection, angle pattern
- LFBD2** – Size 3/4" (20mm) male IPS x 3/4" (20mm) hose thread connection, angle pattern
- LFBD-2C** – Size 3/4" (20mm) MIP x 3/4" (20mm) hose thread connection, angle pattern
- LFBD3F** – Size 1/2" (15mm) female IPS x 3/4" (20mm) hose thread connection, angle pattern
- LFBD4F** – Size 3/4" (20mm) female IPS x 3/4" (20mm) hose thread connection, angle pattern
- LFBD5** – Size 1/2" (15mm) dual connection, solder or male IPS x 3/4" (20mm) hose thread connection, straight pattern, hose thread connection
- LFBD6** – Size 3/4" (20mm) Male IPS x 3/4" (20mm) hose thread connection, straight pattern



MODEL	SIZE (DN)		DESCRIPTION	DIMENSIONS						WEIGHT	
	in.	mm		A		B		K		lbs.	kgs.
LFBD-1C	1/2	15	Male IP or Solder inlet, angle	1 1/3	34	3 1/2	89	2 1/10	54	.5	.24
LFBD2	3/4	20	Male IP inlet, angle	1 1/2	38	3 9/16	91	2 1/8	54	.5	.24
LFBD-2C	3/4	20	Male IP inlet, angle	1 1/3	34	3 1/2	90	2 1/10	54	.4	.20
LFBD3F	1/2	15	Female IP inlet, angle	1 1/2	38	3 1/4	82	2 1/8	54	.5	.24
LFBD4F	3/4	20	Female IP, angle	1 1/2	38	3 1/4	82	2 1/8	54	.5	.24
LFBD5	1/2	15	Male IP or Solder, straight	1 1/8	28	2 15/16	75	2 1/8	54	.4	.20
LFBD6	3/4	20	Male IP inlet, straight	1 1/8	28	3 3/8	80	2 1/8	54	.4	.20

\*The wetted surface of this product contacted by consumable water contains less than 0.25% of lead by weight.

Watts product specifications in U.S. customary units and metric are approximate and are provided for reference only. For precise measurements, please contact Watts Technical Service. Watts reserves the right to change or modify product design, construction, specifications, or materials without prior notice and without incurring any obligation to make such changes and modifications on Watts products previously or subsequently sold.



USA: Tel: (978) 688-1811 • Fax: (978) 794-1848 • www.watts.com  
 Canada: Tel: (905) 332-4090 • Fax: (905) 332-7068 • www.watts.ca

A Watts Water Technologies Company