



Swing Pipe Tubing and Fittings

SPX-FLEX Series – Swing Pipe

Primary Applications

Use Rain Bird Swing Pipe with Spiral Barb Fittings as a flexible swing assembly for sprays and rotors.

Features & Benefits

SPX-FLEX100

- Superior flexibility allows pipe to be efficiently routed around hardscape, terraces, and uneven terrain to turn landscape design into reality
- Textured surface makes product easier to handle, contributing to labor efficiency, especially under wet conditions
- Enhanced kink resistance
- Environmentally Friendly – Constructed of a minimum of 80% post-consumer recycled material

Specifications

- Inside diameter: 0.49"
- Operating pressure up to 80 psi and 110° F

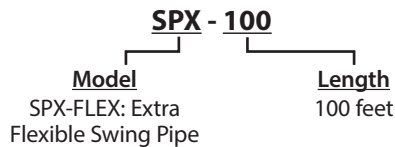
Models

- SPX-FLEX-100: 100' (30 m) coil

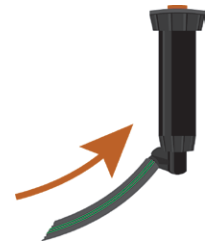


SPX-FLEX100

How to Specify/Order



Up to 25% More Flexible



15% Less force required to insert fittings

SB Series – Spiral Barb Fittings

Primary Applications

For use in conjunction with Swing Pipe as a flexible swing assembly.

Features & Benefits

- Fittings are made of robust acetal material to make connecting swing pipe fast and easy
- Easy twist-in insertion – no glue or clamps needed for installation
- Aggressive barb lip makes a secure connection that is less likely to leak
- Broad range of shapes and sizes allow the contractor to choose the best fitting for the application

- Extended length and aggressive barb lip prevent blow outs, reducing likelihood of contractor call backs

Specifications

- Up to 80 psi and 110° F

Models

- SBE-050: 1/2" M NPT x 1/2" barb elbow
- SBE-075: 3/4" M NPT x 1/2" barb elbow
- SBA-050: 1/2" M NPT x 1/2" barb adapter
- SB-TEE: 1/2" barb x 1/2" barb x 1/2" barb tee
- SB-CPLG: 1/2" barb x 1/2" barb coupling

SB-CPLG

SBA-050



SBE-050

SB-TEE

SBE-075

Specifications

SPX-100 and SPX-FLEX-100

Swing Pipe Tubing

The swing pipe shall be flexible black tubing constructed of linear low density polyethylene material. The tubing shall have a wall thickness of 0.098" both for the SPX and SPX-FLEX models. It shall have a nominal inside diameter of 0.487" for SPX and SPX-FLEX for use with SB Series spiral barb fittings without the necessity of glue or clamps. The model number, manufacturer's name and date of manufacture shall be printed at intervals of between 3' and 6' along the length of the tubing. Each 18" (46 cm) length of tubing shall be capable of pressure testing at the rate of 80 pounds per square inch (psi) (5,5 bar) per second to a minimum burst pressure of 325 psi (22,4 bar) for SP and 350 psi (24,1 bar) for SPX and SPX-FLEX. The swing pipe shall be capable of 8 gallons per minute (gpm) maximum.

The tubing shall have an operating pressure rating of 80 psi at 110°F (5,5 bar at 43°C).

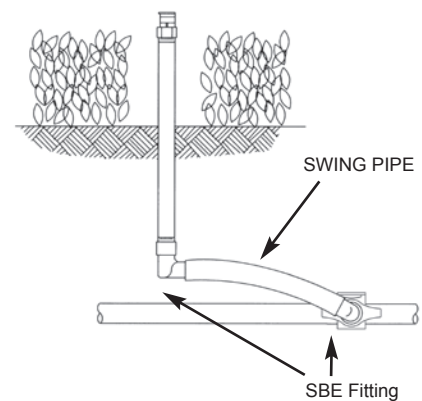
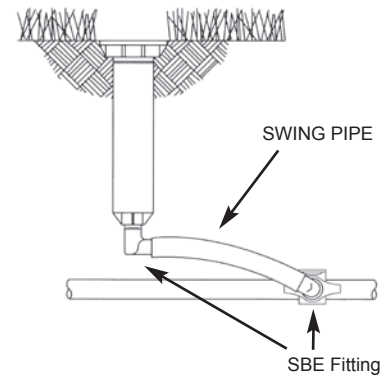
The swing pipe tubing shall be as manufactured by Rain Bird Corporation, Glendora California.

SB Series Spiral barb Fittings

The spiral barb fittings shall be used in conjunction with swing pipe as a flexible swing assembly for 1/2" (15/21) and 3/4" (20/27) inlet sprinklers. The fittings shall have a maximum operating water pressure of 80 psi and 8 gpm.

The spiral barb fittings shall come in seven models to fit various needs. The fittings shall be constructed of Acetal thermoplastic material and be designed so as to permit twist-in insertion, eliminating the need for glue or clamps.

The fittings shall be as manufactured by Rain Bird Corporation, Glendora California.



Rain Bird Corporation
6991 E. Southpoint Road
Tucson, AZ 85706
Phone: (520) 741-6100
Fax: (520) 741-6522

Rain Bird Technical Services
(800) RAINBIRD (U.S. and Canada)

Rain Bird Corporation
970 West Sierra Madre Avenue
Azusa, CA 91702
Phone: (626) 812-3400
Fax: (626) 812-3411

Specification Hotline
800-458-3005 (U.S. and Canada)

Rain Bird International, Inc.
P.O. Box 37
Glendora, CA 91740-0037
Phone: (626) 963-9311
Fax: (626) 852-7343

www.rainbird.com

The Intelligent Use of Water™ – Visit www.rainbird.com to learn about our efforts

© Registered Trademark of Rain Bird Corporation
© 2008 Rain Bird Corporation 3/08

D39610A