



1-1/2" P-TRAP WITH REVERSIBLE J-BEND AND THREADED ADAPTER TECHNICAL SPECIFICATION

Job Name _____	Item # _____
Location _____	
Engineer _____	Contractor _____
PO # _____	Tag _____
Representative _____	

SPECIFICATIONS

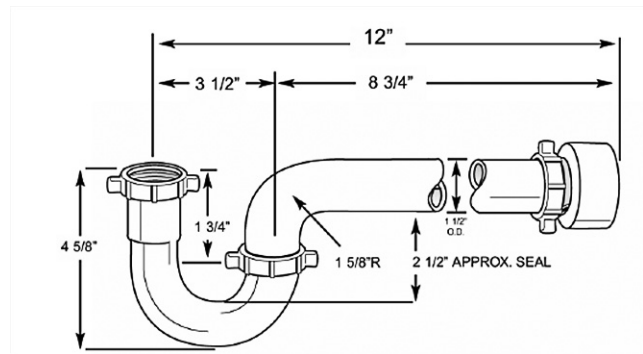
Dearborn Plastic Tubular 1-1/2" P-Traps with Reversible J-Bend and Threaded Adapter are designed for use in tubular drain applications. Options include PVC or ABS plastic adapter and TPE Blue Washers or Clear LDPE Washers. Available in white or black polypropylene plastic.

DESCRIPTION

- Made of polypropylene plastic
- Plastic Tubular P-Trap with Threaded Adapter and Reversible J-Bend
 - Plastic Tubular Quarter Bend
 - Plastic Tubular J-Bend
 - Schedule 40 Threaded Adapter
 - (3) Slip Joint Nuts
 - (3) 1-1/2" Washer
 - (1) 1-1/4" x 1-1/2" Reducing Washer
- Reversible P-Trap includes reversible J-Bend

APPROVALS & LISTINGS

- Meets ASTM F 409
- IAPMO Listed



PRODUCT SELECTOR

1-1/2" P-TRAP WITH REVERSIBLE J-BEND AND THREADED ADAPTER			
✓	Product Number	Description	Carton Quantity
	P9703	1-1/2" P-Trap w/ Threaded PVC Adapter & Reversible J-Bend, Clear LDPE Washers - White	25
	P9703BG	1-1/2" P-Trap w/ Threaded PVC Adapter & Reversible J-Bend, Clear LDPE Washers - White, Bagged	50
	P9703W	1-1/2" P-Trap w/ Threaded PVC Adapter & Reversible J-Bend, Step Joint on Wall Tube - White	25
	A9703WBG	1-1/2" P-Trap w/ Threaded ABS Adapter & Reversible J-Bend - Black, Bagged	50
	P9703WBG	1-1/2" P-Trap w/ Threaded PVC Adapter & Reversible J-Bend - White, Bagged	50
	P9715	1-1/2" P-Trap w/ Threaded PVC Adapter & Reversible J-Bend w/ 1-1/2" x 8" Slip Joint Extension Tube - White, Bagged	50

Data is subject to manufacturing tolerances.

Access BIM/Revit content through www.oatey.com