



**McGuire Manufacturing Co., Inc.**

60 Grandview Court  
 P.O. Box 746 • Cheshire, CT 06410  
 203-699-1801 • Fax: 203-699-1813  
 www.mcguiremfg.com

**PRODUCT SPECIFICATION**

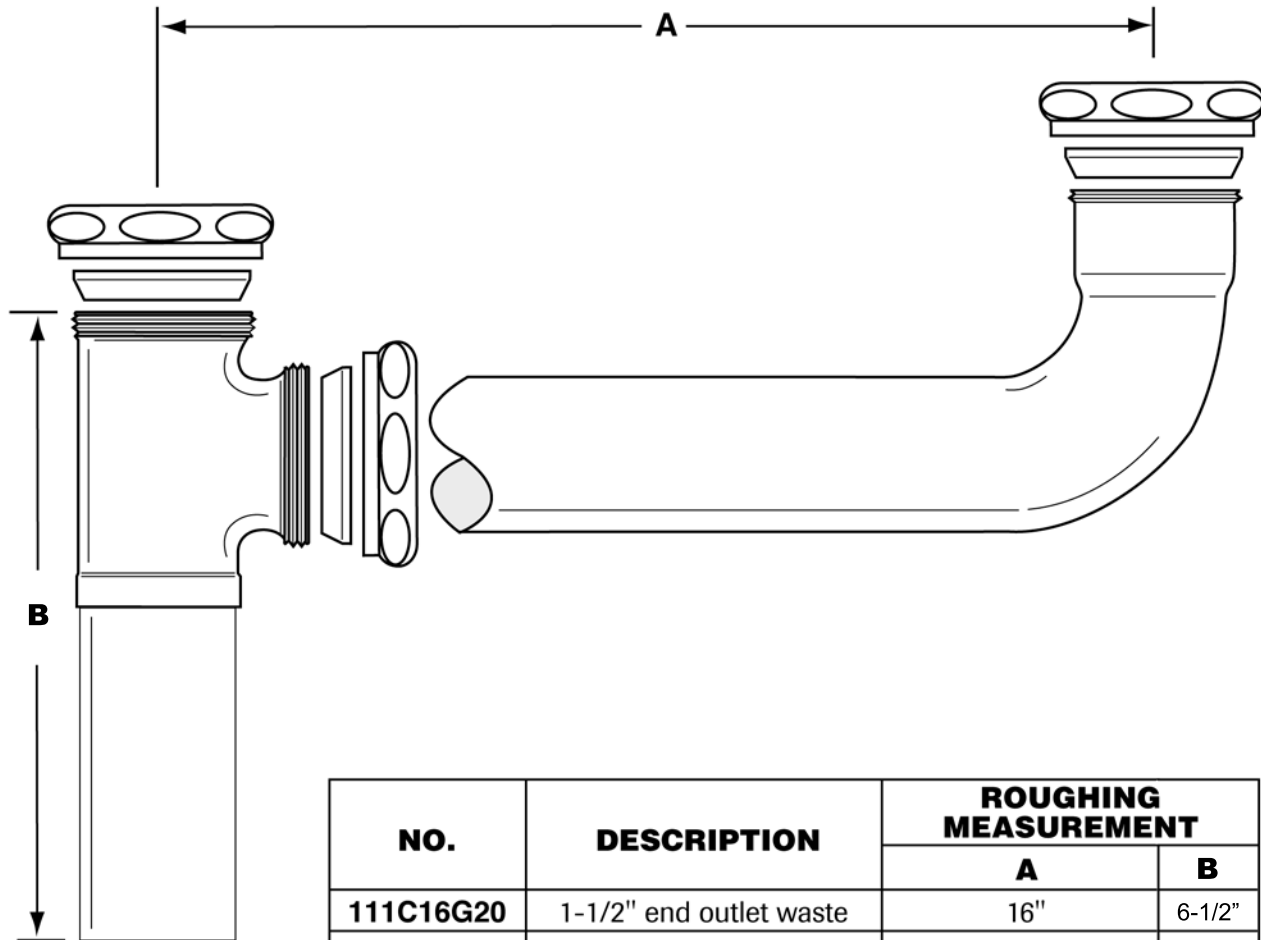
**Part No.**

111C16G20, 111C16G17, 111C21G20,  
 111C21G17, 111C25G20, 111C25G17

**End Outlet  
 Continuous Waste**

**Job Name:** \_\_\_\_\_

**Submittal Number:** \_\_\_\_\_



NO.	DESCRIPTION	ROUGHING MEASUREMENT	
		A	B
111C16G20	1-1/2" end outlet waste	16"	6-1/2"
111C16G17	1-1/2" end outlet waste	16"	6-1/2"
111C21G20	1-1/2" end outlet waste	21"	6-1/2"
111C21G17	1-1/2" end outlet waste	21"	6-1/2"
111C25G20	1-1/2" end outlet waste	25"	6-1/2"
111C25G17	1-1/2" end outlet waste	25"	6-1/2"



ASME A112.18.1-2011/CSA B125.2-11

**Specifications:**

End outlet continuous waste with chrome plated satin cast brass tee, chrome plated 17 or 20 gauge seamless brass waste arm, waste tailpiece and cast brass nuts.