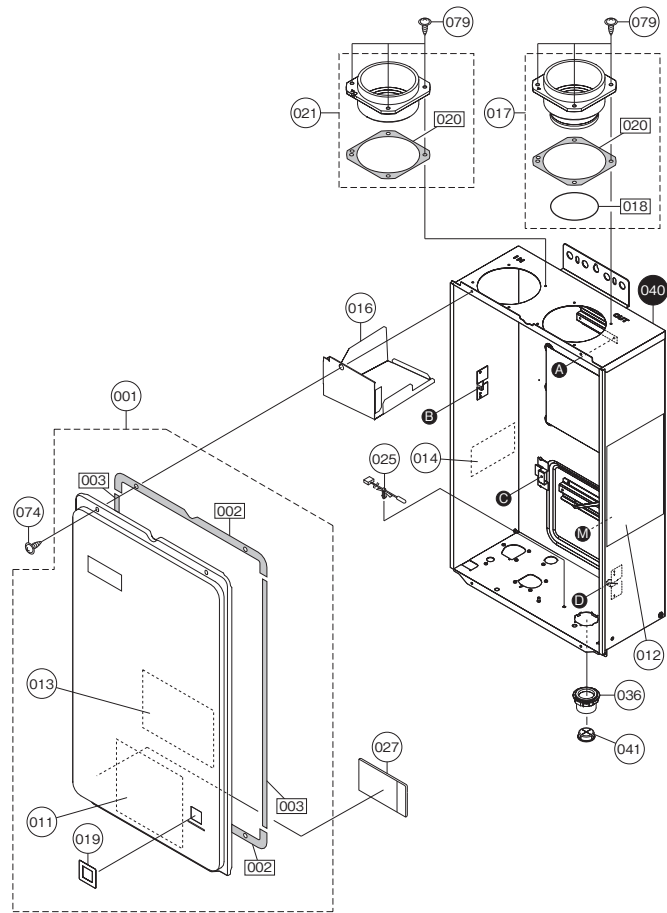
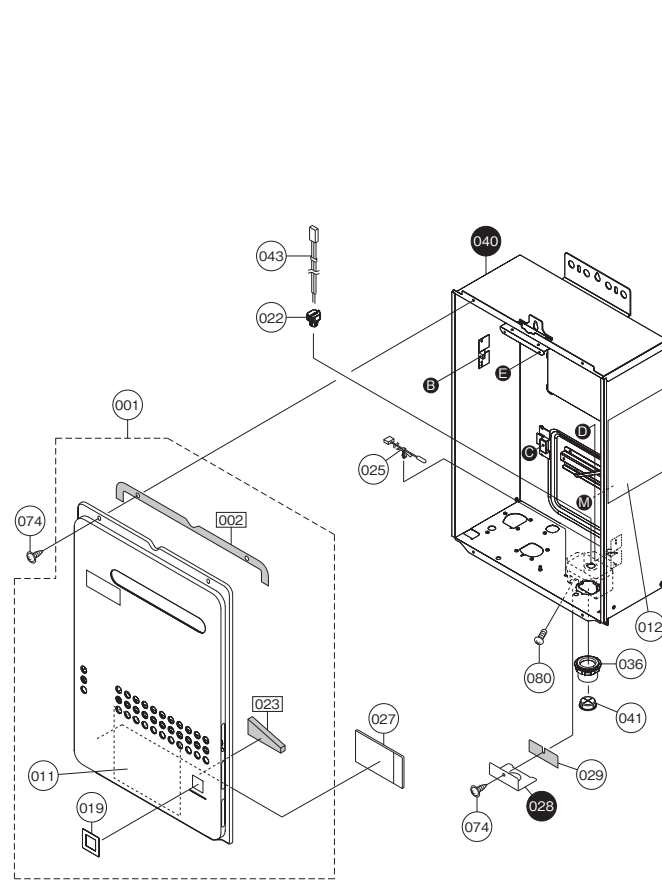


External outfitting NRC711-DV



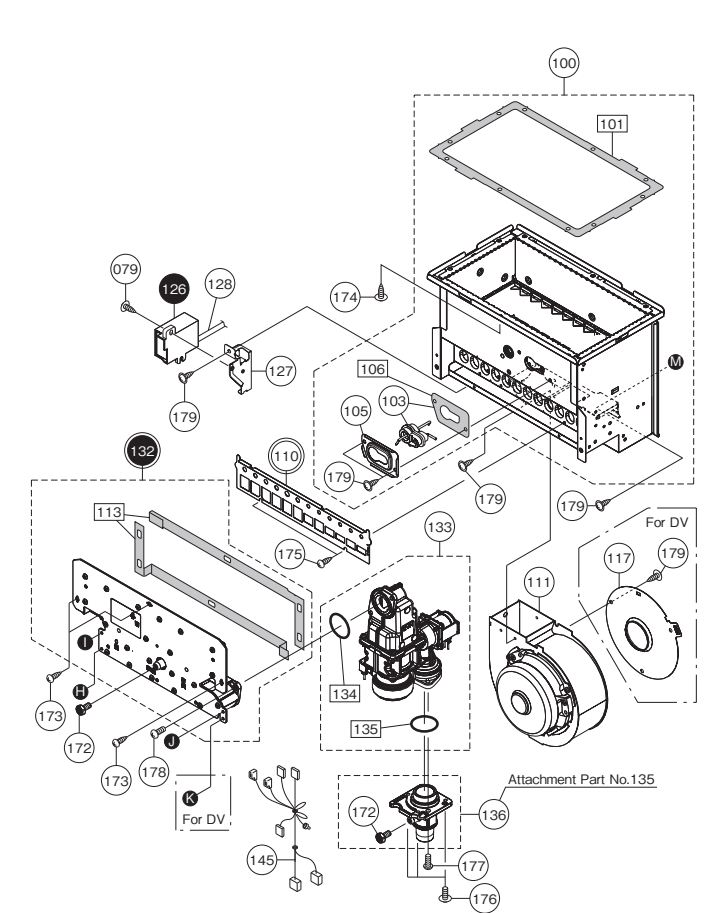
External outfitting NRC711-OD



External outfitting NRC711-DV-OD

| Part Nos | Part Names | Order Nos | Q'ty/unit |
|----------|--|-----------|--------------|
| 001 | Front Cover - NRC661-DV (SET) | SKJ70B3 | 1<NRC711-DV> |
| 002 | Gasket - Front Cover Top and Bottom | EAAL002 | 2<NRC711-DV> |
| 003 | Gasket - Front Cover Sides | AAPL017 | 2<NRC711-DV> |
| 011 | Wiring Diagram | EVRK001 | 1 |
| 012 | Label - Outside Case Caution Label | ELVK006 | 1<NRC711-DV> |
| 013 | Label - Inside Front Cover Caution Label | ELVK010 | 1<NRC711-DV> |
| 014 | Label - Name Plate | EVSA006 | 1<NRC711-DV> |
| 016 | Air intake deflector plate - plastic | EVSP021 | 1<NRC711-DV> |
| 017 | Exhaust Flue w/ O-Ring and Gasket (SET) | EVSP024 | 1<NRC711-DV> |
| 018 | O-Ring - Exhaust Flue Φ72.62 | EVRK002 | 1 |
| 019 | Sight Glass Window | EVSP023 | 2<NRC711-DV> |
| 020 | Gasket - Exhaust Flue | EVSP031 | 1<NRC711-DV> |
| 021 | Intake Flue w/ Gasket (SET) | ETPA073 | 1<NRC711-DV> |
| 022 | Wire Grommet - Rubber | EVRD001 | 1<NRC711-OD> |
| 023 | Gasket - Sight Glass Window | BWCH003 | 1 |
| 025 | Thermistor - Air | ENJA025 | 1<NRC711-OD> |
| 027 | Parts List | ENWL005 | 1<NRC711-OD> |
| 028 | Junction Box Cover | EGMA055 | 1<NRC711-DV> |
| 029 | Gasket - Junction Box Cover | EVSA001 | 1<NRC711-DV> |
| 036 | Wiring Through Way | EVRD001 | 1<NRC711-OD> |
| 040 | Case - NRC661-DV | EVSA001 | 1<NRC711-OD> |
| 041 | Wire Grommet - Rubber | CXPA026 | 1 |
| 043 | Inlet Power Wires | ENLJ020 | 1<NRC711-OD> |
| | | | |
| 074 | Screw - Front Cover with washer M4X12 S410 | | |
| 079 | Screw - Long Tapping M4X12 S410 | | |
| 080 | Screw - Remote Terminal M4XB S430 | | <NRC711-OD> |

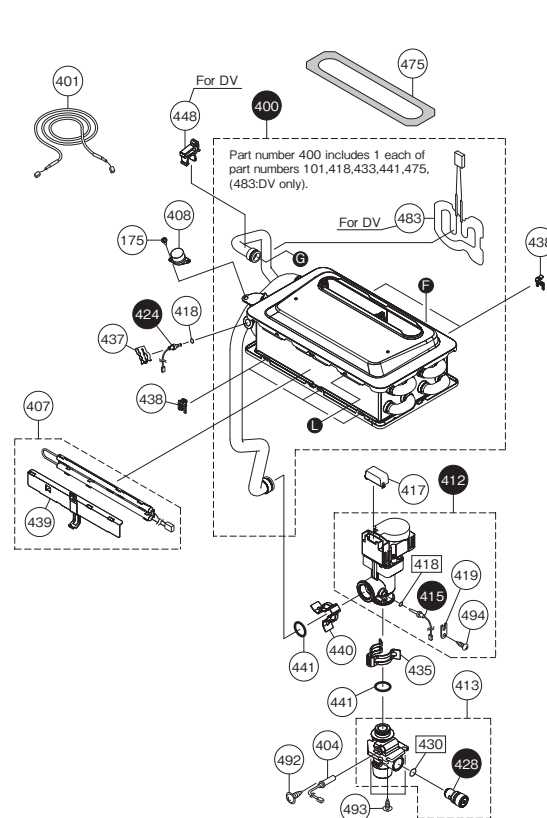
Combustion unit and gas route NRC711-DV-OD



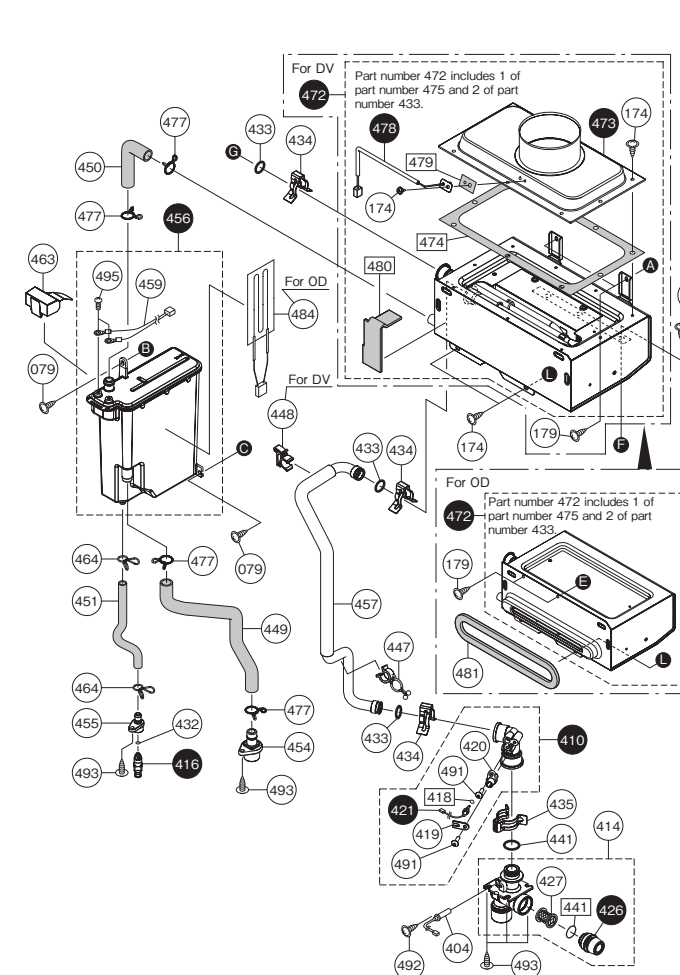
Combustion unit and gas route NRC711-DV-OD

| Part Nos | Part Names | Order Nos | Q'ty/unit |
|----------|--|-----------|------------------------------------|
| 100 | Burner w/ Gasket and Ignition Plug (SET) | SKJ70FU | 1 |
| 101 | Gasket - Burner | EVHL002 | 1 |
| 103 | Ignition Plug w/ Gasket | SKH7391 | 1 |
| 105 | Mounting Plate - Ignition Plug | EULC022 | 1 |
| 106 | Gasket - Ignition Plug | EULL003 | 1 |
| 110 | Burner Damper 12-8 | EVHC068 | 1<NRC711-DV LP> 1<NRC711-OD LP> |
| | Burner Damper 12-7 | EVHC087 | 1<NRC711-DV NG> |
| | Burner Damper 12-6 | EVHC086 | 1<NRC711-OD NG> |
| 111 | Fan Motor w/ Housing | SKJ70BG | 1<NRC711-DV> |
| | Fan Motor w/ Housing | SKE7389 | 1<NRC711-OD> |
| 113 | Gasket - Manifold Plate | EVHL012 | 2 |
| 117 | Fan Plate Φ38H | EVHF161 | 1<NRC711-DV> |
| 126 | Igniter | ERDU112 | 1 |
| 127 | Mounting Plate - Igniter | EVHA016 | 1 |
| 128 | High Voltage Igniter Wire | ALS3072 | 1 |
| 132 | Manifold Plate 11-14 (SET) | SKJ70PX | 1<LP> |
| | Manifold Plate 14-24 (SET) | SKJ70PY | 1<NG> |
| 133 | Gas Valve | SKJ70BV | 1 |
| 134 | O-Ring - Gas Solenoid | SAAG044 | 1 |
| 135 | O-Ring - Gas Valve Bottom | 1648306 | 1 |
| 136 | Inlet Gas Connection w/ Screw (SET) | SKJ70NG | 1 |
| 145 | Wiring Harness - Gas Valve | EVHJ016 | 1 |
| | | | |
| 172 | Screw - Inlet and Manifold Gas M4XB | SAC6082 | 2 |
| 173 | Screw - Large Manifold Plate M5X16 S410 | | |
| 174 | Screw - Medium Tapping M4X10 S410 | | |
| 175 | Screw - Small Tapping w/o collar M4XB S410 | | |
| 176 | Screw - Machine Screw M4X12 S430 | | |
| 177 | Screw - Mounting Machine M5X12 S430 | | |
| 178 | Screw - Machine w/ guide M4X14 | | |
| 179 | Screw - Short Tapping M4XB S410 | | |

Hot-water feed route1 NRC711-DV-OD



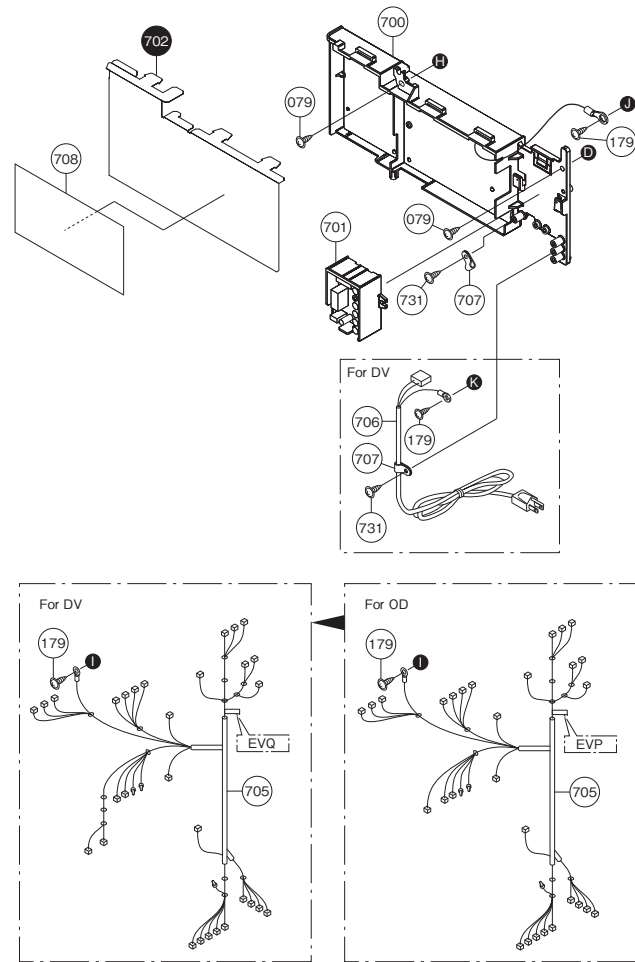
Hot-water feed route 2 NRC711-DV-OD



Hot-water feed route NRC711-DV-OD

| Part Nos | Part Names | Order Nos | Q'ty/unit |
|----------|---|-----------|--------------|
| 400 | Heat Exchanger Kit (DV) (SET) | SKJ70P2 | 1<NRC711-DV> |
| | Heat Exchanger Kit (OD) (SET) | SKJ70O0 | 1<NRC711-OD> |
| 401 | Thermal Fuse | EVHJ010 | 1 |
| 404 | Freeze Prevention Heater - Round Short | EPHD003 | 2 |
| 407 | Freeze Prevention Heater - Double Round (SET) | SKJ70B3 | 1 |
| 408 | High Limit Switch | ENJH001 | 1 |
| 410 | Water Flow Sensor (SET) | EBTD041 | 1 |
| 412 | Water Servo -Main (SET) | JDWD001 | 1 |
| 413 | Outlet Water Connection | EVRD003 | 1 |
| 414 | Inlet Water Connection (SET) | EVRD001 | 1 |
| 415 | Thermistor - Hot Water | BWCD098 | 1 |
| 416 | Drain Cock | CRUD003 | 1 |
| 417 | Wire Cover - Servo | EBTD023 | 1 |
| 418 | O-Ring - Thermistor High Temp P4 | 1323709 | 3 |
| 419 | Thermistor Holding Plate | ALSD088 | 2 |
| 420 | Magnetic Sensor - Flow Sensor | BWCD090 | 1 |
| 421 | Thermistor - Cold Water | EBTD047 | 1 |
| 424 | Thermistor -Heat Exchanger | BWCD098 | 1 |
| 426 | Water Filter Cap | DTJD006 | 1 |
| 427 | Water Filter | EGBD032 | 1 |
| 428 | Safety Relief Valve | SAAB211 | 1 |
| 430 | O-Ring - High Temp P9 | SAD6635 | 1 |
| 432 | O-Ring - High Temp P3 | SAD6633 | 1 |
| 433 | O-Ring - High Temp P12.5 | 3359808 | 3 |
| 434 | "C" Clamp - Water Pipe 13-22 | SAD6537 | 3 |
| 435 | "C" Clamp - Water Pipe 16A | 6340300 | 2 |
| 437 | "C" Clamp - Thermistor | CRUD055 | 1 |
| 438 | Clamp - Thermal Fuse | EVHJ004 | 5 |
| 439 | Clamp - Freeze Prevention | EVSH001 | 1 |
| 440 | "C" Clamp - Water Pipe 16-25 | SAD6593 | 1 |
| 441 | O-Ring - High Temp P16 | 3223302 | 4 |
| 447 | Clip - Harness | HGKL015 | 1 |
| 448 | Clamp - Harness | SA92774 | 2<NRC711-DV> |
| 449 | Drain Hose - Condensate | EVRF042 | 1 |
| 450 | Drain Hose - SS HEX | EVHF041 | 1 |
| 451 | Drain Hose - Neutralizer / Condensate Container | EVHF043 | 1 |
| 454 | Drain Connection - Condensate | EPHF001 | 1 |
| 455 | Drain Connection - Neutralizer / Condensate Container | EMDF309 | 1 |
| 456 | Condensate Container (SET) | EVRF031 | 1 |
| 457 | Pipe - Flow Sensor to SS Heat Exchanger | EVHD011 | 1 |
| 459 | Wiring Harness - Water Level Electrode | EVRD021 | 1 |
| 463 | Cover - Water Level Electrode | EVHA017 | 1 |
| 464 | Clamp - Container Hose Φ8 | EMUD005 | 2 |
| 472 | Heat Exchanger Kit - Secondary SS (DV) (SET) | SKJ70D1 | 1<NRC711-DV> |
| | Heat Exchanger Kit - Secondary SS (OD) (SET) | SKJ70D2 | 1<NRC711-OD> |
| 473 | Exhaust Box | EVSP101 | 1<NRC711-DV> |
| 474 | Gasket - Exhaust Box | EVSL001 | 1<NRC711-DV> |
| 475 | Gasket - Secondary Heat Exchanger | EVHL013 | 1 |
| 477 | Clamp - Container Hose Φ15.5 | SAD6678 | 1 |
| 478 | Thermistor - Exhaust | ETHH002 | 4 |
| 479 | Gasket - Exhaust Thermistor | ETHL004 | 1<NRC711-DV> |
| 480 | Packing - Exhaust Thermistor | ETHL006 | 1<NRC711-DV> |
| 481 | Gasket - Exhaust (OD) | DJPL007 | 1<NRC711-OD> |
| 483 | Freeze Prevention Heater | EVRH002 | 1<NRC711-DV> |
| 484 | Freeze Prevention Heater - Condensate Container | ETHH004 | 1<NRC711-OD> |
| | | | |
| 491 | Screw - Round Head Medium Tapping M4X10 S305 | | |
| 492 | Screw - Short Machined M4XB S410 | | |
| 493 | Screw - Long Machine M4X12 S410 | | |
| 494 | Screw - Round Head Medium Tapping M4X10 S410 | | |
| 495 | Screw - Small Tapping M4X20 | | |

Electronic control unit NRC711-DV.-OD

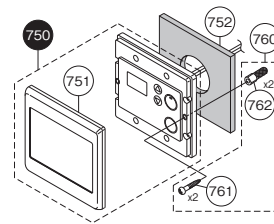


Electronic control unit NRC711-DV.-OD

| Part Nos | Part Names | Order Nos | Qty/unit |
|----------|--|-----------|--------------|
| 700 | Circuit Board | SHC7025 | 1 |
| 701 | Circuit Board | SHC701M | 1 |
| 702 | Cover - Circuit Board | EVHA015 | 1 |
| 705 | Wiring Harness - NRC711-DV | EVQJ011 | 1<NRC711-DV> |
| | Wiring Harness - NRC711-OD | EVPJ011 | 1<NRC711-OD> |
| 706 | Power Supply Cord | ERLJ001 | 1<NRC711-DV> |
| 707 | Wire Clamp - Nylon | 7287909 | 2<NRC711-DV> |
| | Wire Clamp - Nylon | 7287909 | 1<NRC711-OD> |
| 708 | Label - Circuit Board Plastic Cover | EVRK006 | 1 |
| 731 | Screw - Remote Terminal Cover M4X12 S410 | | |

Remote controller,Attached set NRC711-DV.-OD

Remote controller RC-7651M-ENG



Attached set



<Special part>

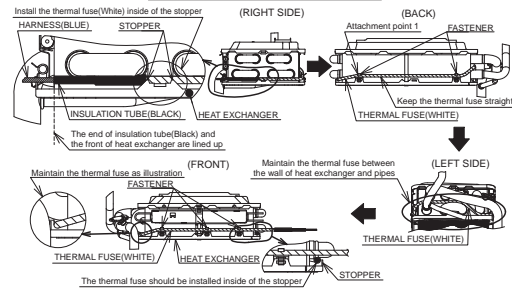
| Special part | Special part no. |
|---------------------|------------------|
| Owner's guide | 888 |
| Installation manual | 889 |

※ To request a French version of the Owner's guide or Installation manual, contact Noritz America.

Remote controller,Attached set NRC711-DV.-OD

| Part Nos | Part Names | Order Nos | Qty/unit |
|----------|--------------------------------------|-----------|--------------|
| 750 | Remote Controller - RC-7651M (SET) | QXLU017 | 1 |
| 751 | Cover - Remote | QMEA003 | 1 |
| 752 | Mounting Packing - Remote | QHUA115 | 1 |
| 760 | Screw Package - Remote(SET) | OQUA100 | 1 |
| 761 | Screw - Round Head Wood M4.1X25 S305 | | |
| 762 | Dry Wall AnchorsX25 | | |
| 800 | Box - NRC661-DV | SKJ70BY | 1<NRC711-DV> |
| | Box - NRC661-OD | SKJ70BZ | 1<NRC711-OD> |
| | Label - Gas Type LP | ESCK008 | 1<LP> |
| 802 | Wood Screw set5 | SAF6007 | 1<NRC711-DV> |
| | Screw Package - Mounting OD | SAB2286 | 1<NRC711-OD> |
| 803 | Screw - Round Head Wood M5.1X32 S305 | | |
| 888 | Owner's Guide NRC711(DV-OD) | SBB8067 | 1 |
| 889 | Installation Manual NRC711-DV | SBB806U | 1<NRC711-DV> |
| | Installation Manual NRC711-OD | SBB8068 | 1<NRC711-OD> |

Thermal Fuse Installation Procedure



Install the thermal fuse following the below procedure.

1. Begin the installation by attaching the thermal fuse to the right side of the heat exchanger.
2. Bend the thermal fuse to the back of the heat exchanger and fixing the thermal fuse by the fastener at attachment point 1 as indicated in the above illustration.
3. Continue wrapping the thermal fuse around the heat exchanger securing it at each attachment point using the fasteners shown in the above illustrations.

Caution
The thermal fuse may snap if it is twisted, pinched or bent too sharply. Do not bend the thermal fuse to a radius of less than 1.25".

Freeze Prevention Heater Installation Procedure

Please check the present position and re-install to the original position.

Install the freeze prevention heater according to following illustrations.

