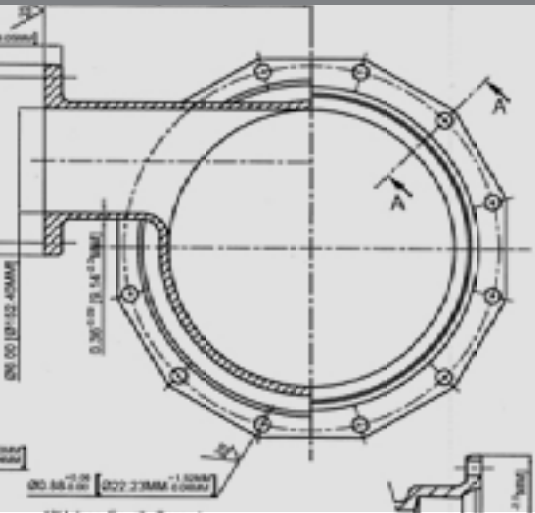




Quality – Service – Commitment – Delivered.

# C153 DUCTILE IRON MECHANICAL JOINT FITTINGS

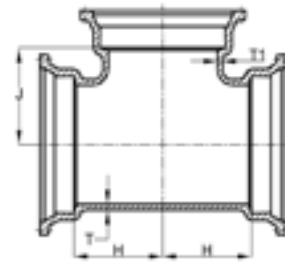


## C153 DUCTILE IRON MECHANICAL JOINT FITTINGS BASIC SPECIFICATIONS

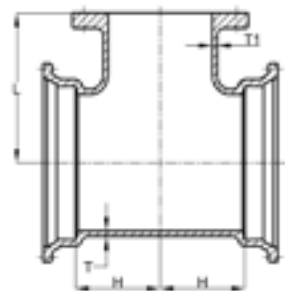
- SIZES:**
- 2" - 64"
- MATERIAL:**
- Ductile Iron ASTM A536, Grade 65-45-12, 60-42-10 or 70-50-05.
- PRESSURE:**
- 350 PSI Water Working Pressure 2" - 24".
  - 250 PSI Water Working Pressure 30" - 48".
  - 150 PSI Water Working Pressure 54" - 64".
- TESTING:**
- In accordance with ANSI/AWWA C153/A21.53.
  - In accordance with UL - FM requirements.
  - All fittings are hydrostatically tested in accordance with SIGMA Quality Management Standard.
  - All fittings are heat coded to ensure traceability and verification of metallurgical properties in accordance with the prevailing standards and SIGMA Quality Management Standards.
- LAYING LENGTH:**
- Short body design - straight section of body deleted to provide a compact and lighter fitting without reducing strength or flow characteristics.
- DEFLECTION:**
- In accordance with ANSI/AWWA C153/A21.53.
  - Maximum allowable deflection for MJ Joint on a full length pipe is as mentioned below:
    1. 3" - 4" = 8 Degrees
    2. 6" = 7 Degrees
    3. 8" - 12" = 5 Degrees
    4. 14" - 48" = 3 Degrees
- CEMENT LINING:**
- Double cement lined in accordance with ANSI/AWWA C104 / A21.4.
- COATING:**
- Interior of fitting is seal coated (asphaltic material) in accordance with ANSI AWWA C104/A21.4 and NSF61 approved.
  - Exterior of fitting is seal coated (asphaltic material) in accordance with ANSI/AWWA C153/A21.53 and NSF approved.
- GASKETS:**
- SBR in accordance with ANSI/AWWA C111/A21.11.
  - Also available in EPDM, NBR and CR.
- T-BOLTS:**
- Low Alloy corrosion resistant high strength steel in accordance with ANSI/AWWA C111/A21.11.
- APPROVALS:**
- 3"-16" Underwriters Laboratories listed and Factory Mutual Approved.
- STANDARDS:**
- Certified to NSF61 Standard including Annex G & 372.
  - ANSI/AWWA C153/A21.53 for Compact Ductile Iron Fittings 2"-64" for water and other liquids.
- INSTALLATION:**
- Per ANSI/AWWA C600 and C111 using DIP conforming to C150/C151 and PVC pipe conforming to C900/C905.

### Tees (continued)

SIZE		MJ x MJ						MJ x Flange			
Run	Branch	Item No.	Wt.	H	J	T	T1	Item No.	Wt.	H	L
42	12	DMT4212	1885	10.00	27.50	0.82	0.42				
42	16	DMT4216	1929	12.50	27.50	0.82	0.50				
42	18	DMT4218	2072	16.00	27.50	0.82	0.54				
42	20	DMT4220	2433	20.00	27.50	0.82	0.57				
42	24	DMT4224	2270	20.00	27.50	0.82	0.61	DMF4224		20.00	30.00
42	30	DMT4230	2425	22.00	29.50	0.82	0.66	DMF4230		22.00	31.00
42	36	DMT4236	3000	30.00	30.00	0.82	0.74	DMF4236	2765	30.00	31.00
42	42	DMT4242	3175	30.00	30.00	0.82	0.82	DMF4242		30.00	31.00
48	6	DMT486	1949	10.00	32.00	0.90	0.36				
48	8	DMT488		10.00	32.00	0.90	0.38				
48	12	DMT4812	2535	15.00	32.00	0.90	0.42				
48	16	DMT4816	2657	20.00	32.00	0.90	0.50				
48	18	DMT4818		16.00	32.00	0.90	0.54				
48	20	DMT4820		20.00	32.00	0.90	0.57				
48	24	DMT4824	2870	23.00	32.00	0.90	0.61	DMF4824		23.00	34.00
48	30	DMT4830	3050	23.00	32.00	0.90	0.66	DMF4830	2762	23.00	34.00
48	36	DMT4836	3900	33.50	32.25	0.90	0.74	DMF4836	3594	33.50	34.00
48	42	DMT4842	4100	33.50	33.50	0.90	0.82	DMF4842	3739	33.50	34.00
48	48	DMT4848	4250	33.50	33.50	0.90	0.90	DMF4848	3878	33.50	34.00



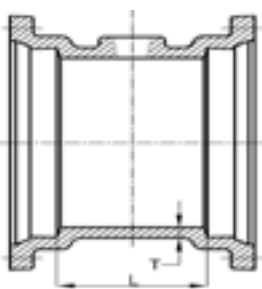
MJ x MJ



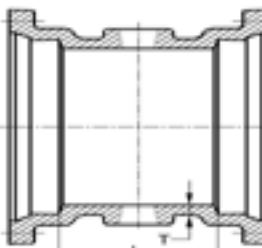
MJ x Flange

### Tapped Tees and Crosses

Size	TEE		CROSS		T	L	Tap Size
	Item No.	Wt.	Item No.	Wt.			
3	DTT3	19	DTC3	19	0.33	6.00	2
4	DTT4	24	DTC4	23	0.34	6.00	2
6	DTT6	42	DTC6	37	0.36	6.00	2
8	DTT8	53	DTC8	53	0.38	6.00	2
10	DTT10	68	DTC10	68	0.40	6.00	2
12	DTT12	88	DTC12	88	0.42	6.00	2
14	DTT14	118	DTC14	119	0.47	8.00	2
16	DTT16	164	DTC16	202	0.50	8.00	2
18	DTT18	205	DTC18	206	0.54	8.00	2
20	DTT20	259	DTC20	259	0.57	8.00	2
24	DTT24	320	DTC24	320	0.61	8.00	2



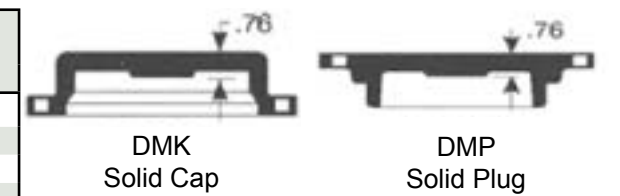
Tapped Tee



Tapped Cross

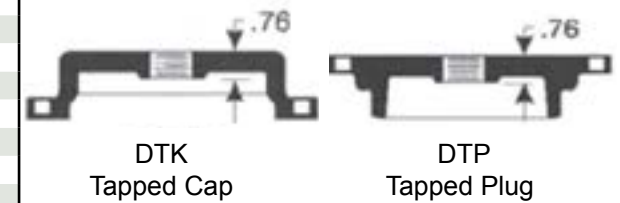
### Caps and Plugs

Size	CAP SOLID	CAP TAPPED	Wt.	PLUG SOLID	PLUG TAPPED	Wt.
	Item No.	Item No.		Item No.	Item No.	
2	DMK2					
3	DMK3	DTK3	8	DMP3	DTP3	8
4	DMK4	DTK4	9	DMP4	DTP4	10
6	DMK6	DTK6	15	DMP6	DTP6	16
8	DMK8	DTK8	22	DMP8	DTP8	26
10	DMK10	DTK10	32	DMP10	DTP10	36
12	DMK12	DTK12	42	DMP12	DTP12	46
14	DMK14	DTK14	66	DMP14	DTP14	75
16	DMK16	DTK16	92	DMP16	DTP16	95
18	DMK18	DTK18	114	DMP18	DTP18	121
20	DMK20	DTK20	125	DMP20	DTP20	135
24	DMK24	DTK24	166	DMP24	DTP24	175
30	DMK30	DTK30	345	DMP30	DTP30	355
36	DMK36	DTK36	628	DMP36	DTP36	688
42	DMK42	DTK42	665	DMP42	DTP42	815
48	DMK48	DTK48	901	DMP48	DTP48	1085



DMK Solid Cap

DMP Solid Plug

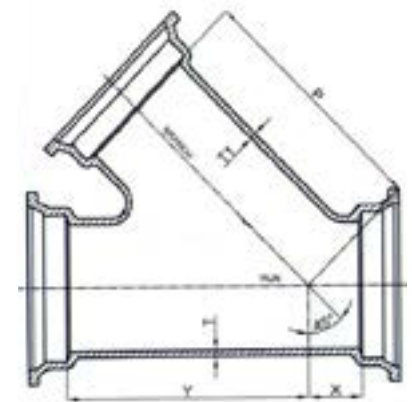


DTK Tapped Cap

DTP Tapped Plug

### Wyes 45° laterals

Size		Item No.	X	Y	P	T	T1	Wt.
Run	Branch							
3	3	DMY33	2.00	8.50	8.50	0.33	0.33	36
4	2	DMY42	2.00	8.50	8.50	0.34	0.30	39
4	3	DMY43	2.50	9.50	9.50	0.34	0.33	
4	4	DMY44	2.50	9.50	9.50	0.34	0.34	45
6	4	DMY64	1.50	11.00	11.00	0.36	0.34	67
6	6	DMY66	3.00	13.00	13.00	0.36	0.36	93
8	3	DMY83	0.50	13.00	13.00	0.38	0.33	
8	4	DMY84	0.50	13.00	13.00	0.38	0.34	93
8	6	DMY86	2.00	14.50	14.50	0.38	0.36	113
8	8	DMY88	3.50	16.00	16.00	0.38	0.38	136
10	3	DMY103	0.00	15.00	15.00	0.40	0.33	
10	4	DMY104	0.00	15.00	15.00	0.40	0.34	118
10	6	DMY106	1.00	16.00	16.00	0.40	0.36	136
10	8	DMY108	2.50	17.00	17.00	0.40	0.38	170
10	10	DMY1010	3.50	19.00	19.00	0.40	0.40	199
12	3	DMY123	0.00	16.50	16.50	0.42	0.33	
12	4	DMY124	0.00	16.50	16.50	0.42	0.34	150
12	6	DMY126	1.50	18.50	18.50	0.42	0.36	186
12	8	DMY128	1.50	18.50	18.50	0.42	0.38	188
12	10	DMY1210	3.00	20.00	20.00	0.42	0.40	223
12	12	DMY1212	4.50	22.50	22.50	0.42	0.42	272
14	6	DMY146	0.00	19.00	21.50	0.47	0.36	
14	8	DMY148	1.50	20.00	22.50	0.47	0.38	230
14	10	DMY1410	4.00	25.00	25.00	0.47	0.40	
14	12	DMY1412	5.00	25.00	25.00	0.47	0.42	
14	14	DMY1414	6.00	25.00	25.00	0.47	0.47	
16	6	DMY166	0.00	21.50	24.00	0.50	0.36	
16	8	DMY168	1.50	23.00	25.00	0.50	0.38	
16	10	DMY1610	6.50	28.00	28.00	0.50	0.40	
16	12	DMY1612	6.50	28.00	28.00	0.50	0.42	
16	14	DMY1614	6.50	28.00	28.00	0.50	0.47	
16	16	DMY1616	6.50	28.00	28.00	0.50	0.50	
18	4	DMY184	0.00	23.00	25.50	0.54	0.34	
18	6	DMY186	0.00	23.00	25.50	0.54	0.36	348
18	8	DMY188	1.50	25.00	27.50	0.54	0.38	380
18	10	DMY1810	4.50	30.00	30.00	0.54	0.40	
18	12	DMY1812	4.50	30.00	30.00	0.54	0.42	479



Wyes Lateral 45°