

TECHNICAL DATA SHEET

Fittings, Electrical Metallic Tubing (EMT)

Set-screw connectors - TC-220/TC-820 series

Steel City®



Set-screw connectors for attachment of EMT conduits to electrical enclosures. Commercial and residential applications.

Certifications / Standards**Material:**

- Die cast zinc

Applications:

- For indoor use only
- Electrical enclosures
- Knockout (locknut included)
- Threaded entries
- Concrete tight when taped

Conformance:

- UL File No. E-16592
- CSA File No. LR-12798

Connection type:

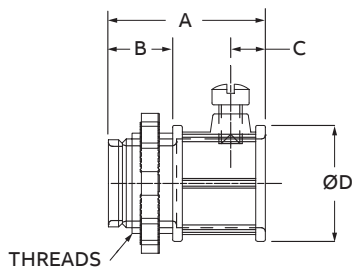
- Set-screw

Product selection (inches)

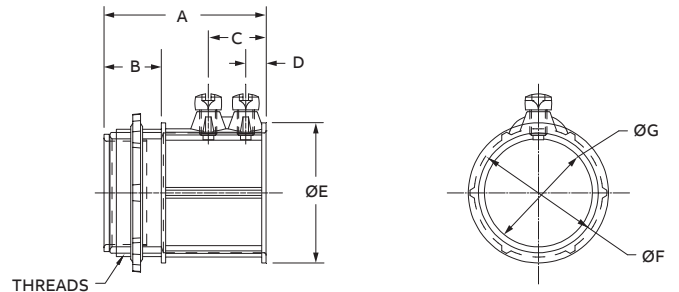
Part No:		Conduit size	Type	A	B	C	D	E	F	G	Thread
Non-insulated	Insulated										
TC-221-SC	TC-821-SC	1/2	1	1-17/64	33/64	9/32	15/16	23/32	39/64	-	1/2-14 npsm
TC-222-SC	TC-822-SC	3/4	1	1-33/64	9/16	5/16	1-5/32	15/16	13/16	-	3/4-14 npsm
TC-223-SC	TC-823-SC	1	1	1-21/32	5/8	17/64	1-27/64	1-11/64	1-1/32	-	1-11.5 npsm
TC-224-SC	TC-824-SC	1-1/4	2	2-1/32	11/16	25/32	9/32	1-13/16	1-17/32	1-3/8	1-1/4-11.5 npsm
TC-225-SC	TC-825-SC	1-1/2	2	2-3/8	25/32	27/32	19/64	2-3/64	1-3/4	1-37/64	1-1/2-11.5 npsm
TC-226-SC	TC-826-SC	2	2	2-39/64	55/64	27/32	9/32	2-17/32	2-23/64	2-1/16	2-11.5 npsm
TC-227-SC	TC-827-SC	2-1/2	3	3-9/32	1-1/8	19/32	7/8	3-19/64	2-29/32	-	2-1/2-8 npsm
TC-228-SC	TC-828-SC	3	3	3-31/64	1-11/64	39/64	7/8	4-1/16	3-17/32	-	3-8 npsm
TC-229-SC	TC-829-SC	3-1/2	3	3-19/32	1-11/64	9/16	7/8	4-17/32	4-11/16	-	3-1/2-8 npsm
TC-2210-SC	TC-8210-SC	4	3	3-53/64	1-5/16	39/64	7/8	5-1/16	5-1/16	-	4-8 npsm

Note: Product must be installed in accordance with applicable national and local electrical codes.

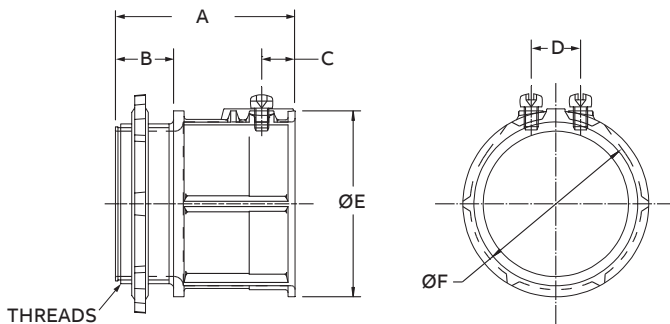
TYPE 1



TYPE 2



TYPE 3



tnb.abb.com
tnb.ca.abb.com
abb.com

We reserve the right to make technical changes or modify the contents of this document without prior notice. With regard to purchase orders, the agreed particulars shall prevail. ABB does not accept any responsibility whatsoever for potential errors or possible lack of information in this document.

We reserve all rights in this document and in the subject matter and illustrations contained therein. Any reproduction – in whole or in part – is forbidden without prior written consent of ABB
Copyright© 2019 ABB All rights reserved.