

For Residential and Commercial Applications

Job Name:

Engineer/Architect:

Job Location:

Wholesaler:

Submittal Date:

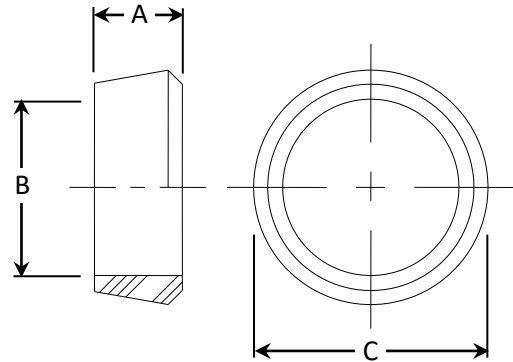
Contractor:

60PT Series Plastic Compression Sleeves

Use: For use with PEX, vinyl, and polyethylene tubing in potable water distribution systems. Not intended for use with steel, copper, or aluminum tubing.

Operating Specifications:

Temperature: 40°- 180° F
Pressures: 125 PSI maximum



FITTING MATERIAL SPECIFICATIONS	
Compression Sleeve	POM

PART DIMENSIONS (Inches)			
Model	DIM. A	DIA. B	DIA. C
60PT-4	.19	.237	.375
60PT-5	.19	.319	.437
60PT-6	.19	.376	.500

PART DIMENSIONS (Inches)			
Model	DIM. A	DIA. B	DIA. C
60PT-8	.25	.509	.625
60PT-10	.21	.630	.750

Part Listing:

- 60PT-4 For 1/4" OD tube
- 60PT-4 BT For 1/4" OD tube, bulk
- 60PT-4 K100 For 1/4" OD tube, 100 per bag
- 60PT-5 For 5/16" OD tube
- 60PT-5 BT For 5/16" OD tube, bulk
- 60PT-6 For 3/8" OD tube
- 60PT-6 BT For 3/8" OD tube, bulk
- 60PT-8 For 1/2" OD tube
- 60PT-8 BT For 1/2" OD tube, bulk
- 60PT-8 K100 For 1/2" OD tube, 100 per bag
- 60PT-10 For 5/8" OD tube
- 60PT-10 BT For 5/8" OD tube, bulk

This specification and all information contained herein is the confidential and exclusive property of Brasscraft Manufacturing Company and shall not be disclosed to others without the written consent of Brasscraft Mfg. Co. This specification must be returned to Brasscraft Mfg. Co. if requested.