



ECO-VALVE

Figure # 5020ABX

Low Lead EzPress Ball Valve

Product Features

- 200# WOG
- DZR-Brass Body
- Dual Female Pres Ends
- Chrome Plated Ball
- PTFE Seats
- Blow-Out Proof Stem
- Adjustable Packing
- MSS-SP-110 Base Design
- Body conforms to XLC design
- NSF 61-G & NSF 372 Certified



Certified to
ANSI/NSF 61

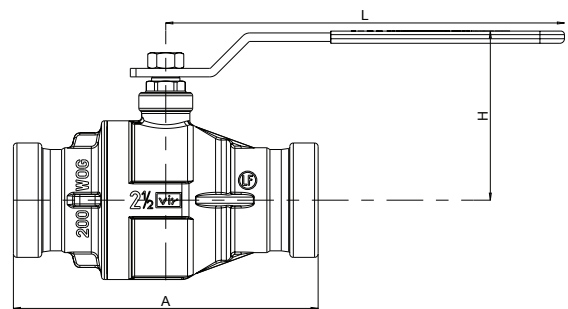
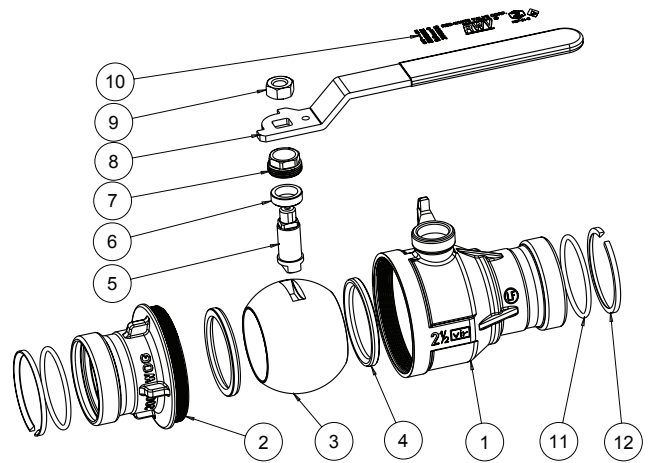


Technical Specifications

	2-1/2	3	4
Cv	450	620	1200
T max (°F)	250	250	250
P max valve @ 250°F	100	100	100
P max connection psi	200	200	200

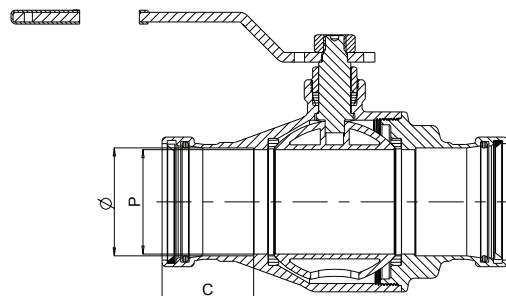
Materials & Specifications

Item	Description	Material	Specification
1	Body - XLC	Low Lead Brass	UNS C27453
2	Body cap	Low Lead Brass	UNS C27453
3	Ball	Low Lead Brass/Cr Plated	UNS C27453
4	Seats	PTFE	-
5	Stem	Low Lead Brass	UNS C27453
6	Packing ring	PTFE	PTFE
7	Packing nut	Low Lead Brass	CW510L
8	Handle	Steel / Geomet plated	A36 Geomet
9	Nut	Steel / Zn plated	A36
10	Valve info		
11	O-ring	EPDM Perox	
12	Pressure ring	Steel	Steel



Dimensions, Weights (inches-lbs.) & Valve Data

Size	2-1/2	3	4
Φ	2.66	3.14	4.17
A	8.74	9.45	10.12
C	2.36	2.36	2.52
H	4.69	5.14	5.64
L	11.07	11.07	11.07
P	2.55	3.07	3.94
Wt.	9.26	12.56	17.90



RED-WHITE VALVE CORP.

20600 Regency Lane, Lake Forest, CA 92630

TEL: 949.859.1010 • FAX: 949.859.7200 • www.redwhitevalvecorp.com

(160115)