

L4029 High Limit Controller



L4029E Reset Limit Control opens a line or low voltage circuit if the air temperature reaches a critical level. L4029E acts as a fire thermostat in the ducts of AC & ventilating systems. If the air temperature indicates a fire, the fan is shut down.

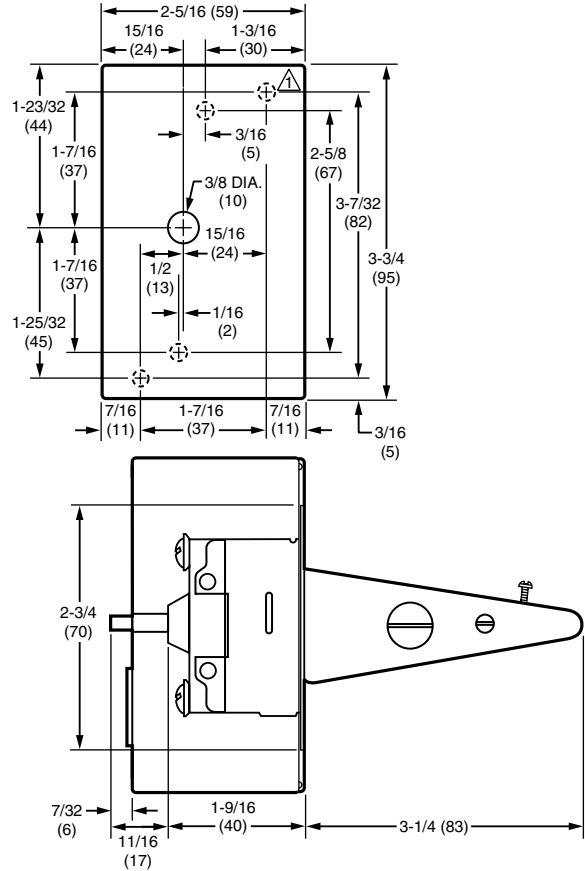
- Shuts off the fan when air temperature is indicative of fire.
- Internal snap-acting switch actuated by a bimetal strip inserted directly into the air stream responds rapidly to temperature changes.
- Requires manual reset.

Switching Action: Normally closed SPST switch opens on temperature rise to the set point. Switch must be manually reset to operate.

Approvals, Underwriters Laboratories Inc.: Listed: File No. MP466, Vol. 8, Guide No. MBPR2

Approvals, CSA: Certified: File No. LR95329-5

Dimensions in inches (millimeters)



△ 3/16 (5) DIAMETER MOUNTING HOLES L4029E WITH CASE AND COVER. M27077

Material Number	Element Insertion Length	Electrical Ratings	Pilot Duty Ratings	Temperature Ratings	Tradeline Value
L4029E1011/U	3 in. (76 mm)	Limit- (AFL) – 2 A @ 30 Vac; 10 A @ 120 Vac; 5 A @ 240 Vac; Limit- (ALR) – 60 A @ 120 Vac; 30 A @ 240 Vac	0.25 A @ 0.25 to 12 Vdc	Maximum Ambient – At switch: 190°F; At element: 350°F; High Limit Stop – 135°F (Maximum Ambient – At switch 88°C; At element: 177°C)	
L4029E1029/U	3 in. (76 mm)	Limit- (AFL) – 2 A @ 30 Vac; 10 A @ 120 Vac; 5 A @ 240 Vac; Limit- (ALR) – 60 A @ 120 Vac; 30 A @ 240 Vac	0.25 A @ 0.25 to 12 Vdc	Maximum Ambient – At switch: 190°F; At element: 350°F; High Limit Stop – 200°F (Maximum Ambient – At switch 88°C; At element: 177°C)	
L4029E1045/U	3 in. (76 mm)	Limit- (AFL) – 2 A @ 30 Vac; 10 A @ 120 Vac; 5 A @ 240 Vac; Limit- (ALR) – 60 A @ 120 Vac; 30 A @ 240 Vac	0.25 A @ 0.25 to 12 Vdc	Maximum Ambient – At switch: 190°F; At element: 350°F; High Limit Stop – 240°F (Maximum Ambient – At switch 88°C; At element: 177°C)	
L4029E1219/U	3 in. (76 mm)	Limit- (AFL) – 2 A @ 30 Vac; 10 A @ 120 Vac; 5 A @ 240 Vac; Limit- (ALR) – 60 A @ 120 Vac; 30 A @ 240 Vac	0.25 A @ 0.25 to 12 Vdc	Maximum Ambient – At switch: 190°F; At element: 350°F; High Limit Stop – 165°F (Maximum Ambient – At switch 88°C; At element: 177°C)	Tradeline
L4029E1227/U	3 in. (76 mm)	Limit- (AFL) – 2 A @ 30 Vac; 10 A @ 120 Vac; 5 A @ 240 Vac; Limit- (ALR) – 60 A @ 120 Vac; 30 A @ 240 Vac	0.25 A @ 0.25 to 12 Vdc	Maximum Ambient – At switch: 190°F; At element: 350°F; High Limit Stop – 125°F (Maximum Ambient – At switch 88°C; At element: 177°C)	Tradeline
L4029E1250/U	3 in. (76 mm)	Limit- (AFL) – 2 A @ 30 Vac; 10 A @ 120 Vac; 5 A @ 240 Vac; Limit- (ALR) – 60 A @ 120 Vac; 30 A @ 240 Vac	0.25 A @ 0.25 to 12 Vdc	Maximum Ambient – At switch: 190°F; At element: 350°F; Fan-on – 126°F; Fan-off – 100°F; High Limit Stop – 116°F (Maximum Ambient – At switch 88°C; At element: 177°C; Fan-on – 52°C; Fan-off – 38°C)	

Residential Combustion Control